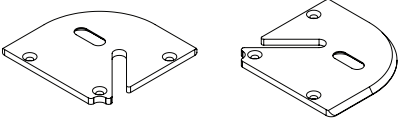
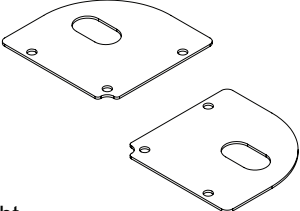
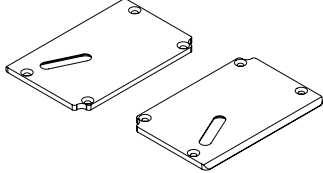
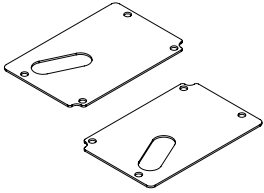
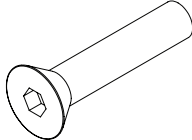
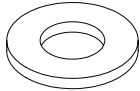
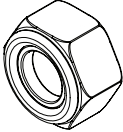
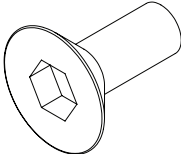
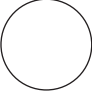

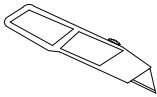

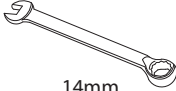
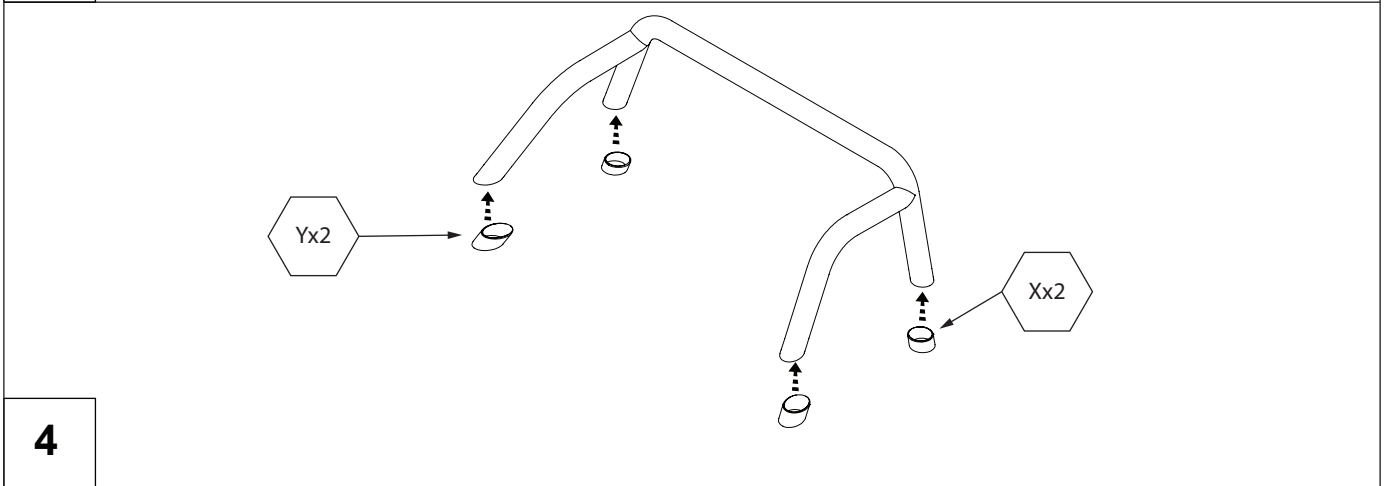
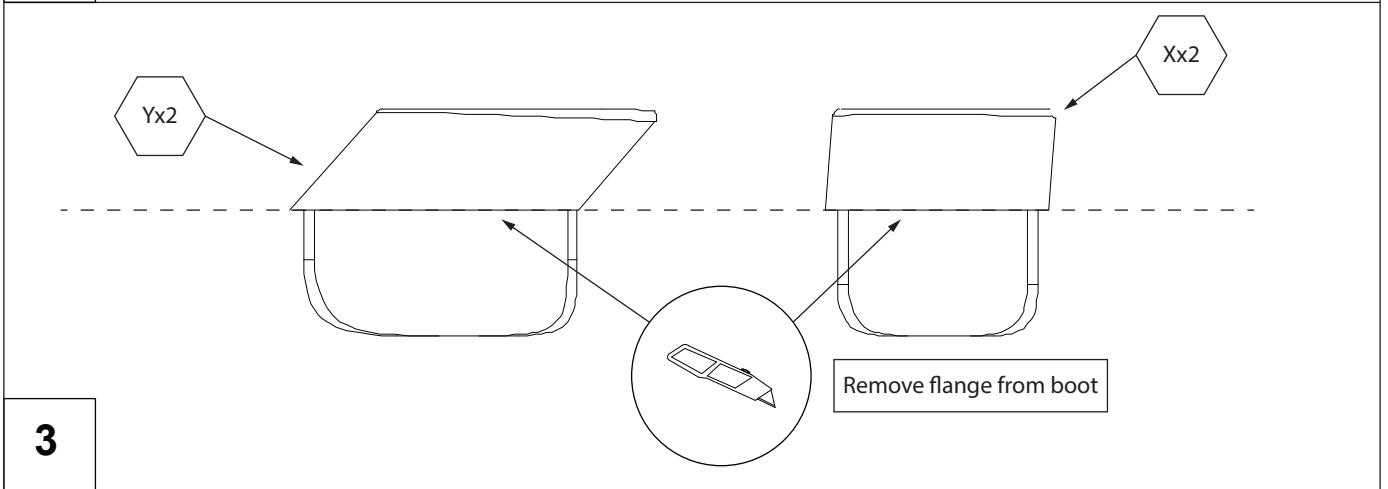
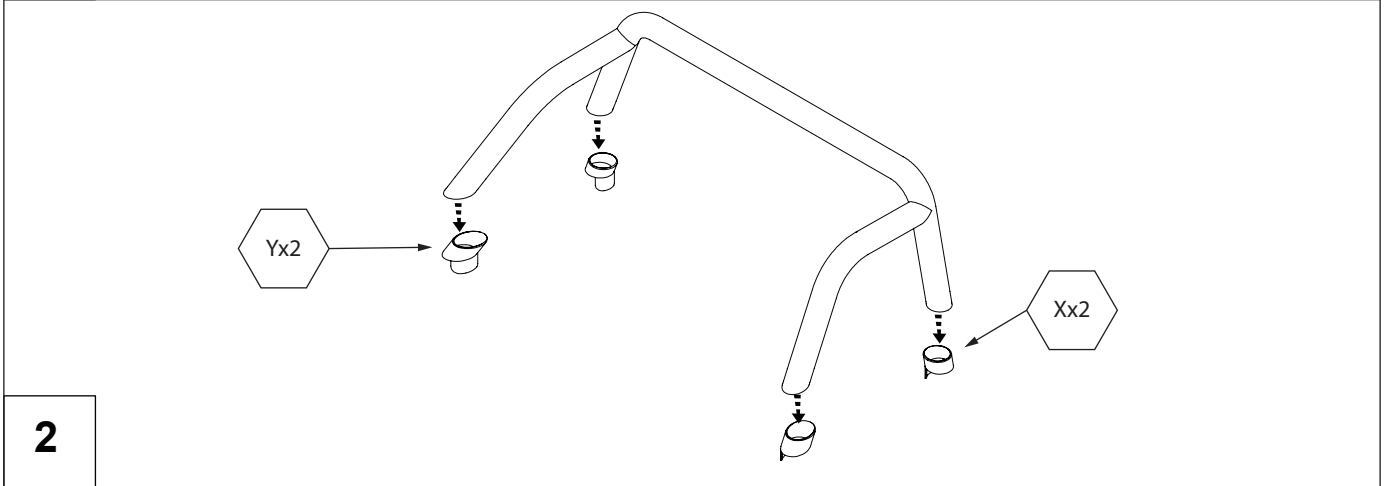
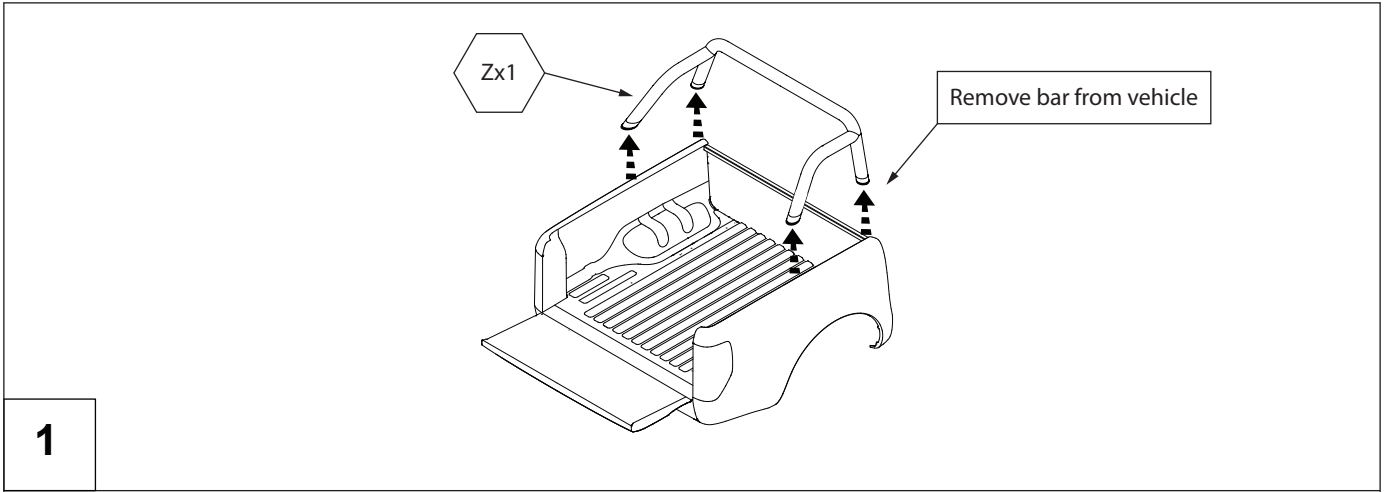


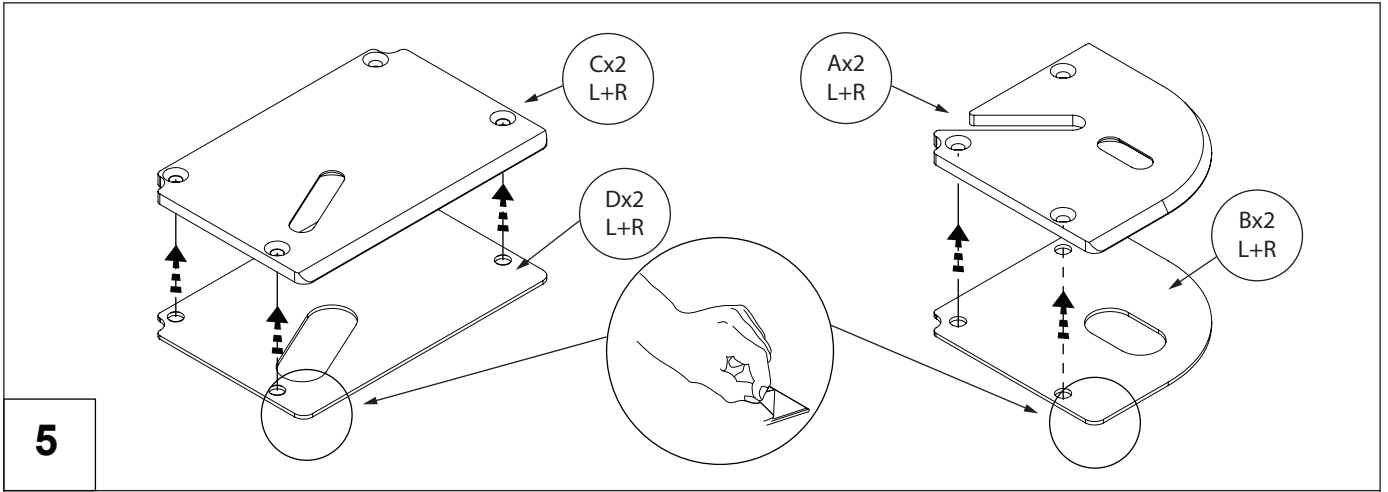
UpStoneEvolve

INSTALLATION INSTRUCTIONS K429 Ford Ranger 11+ DC/XC OEM Bar

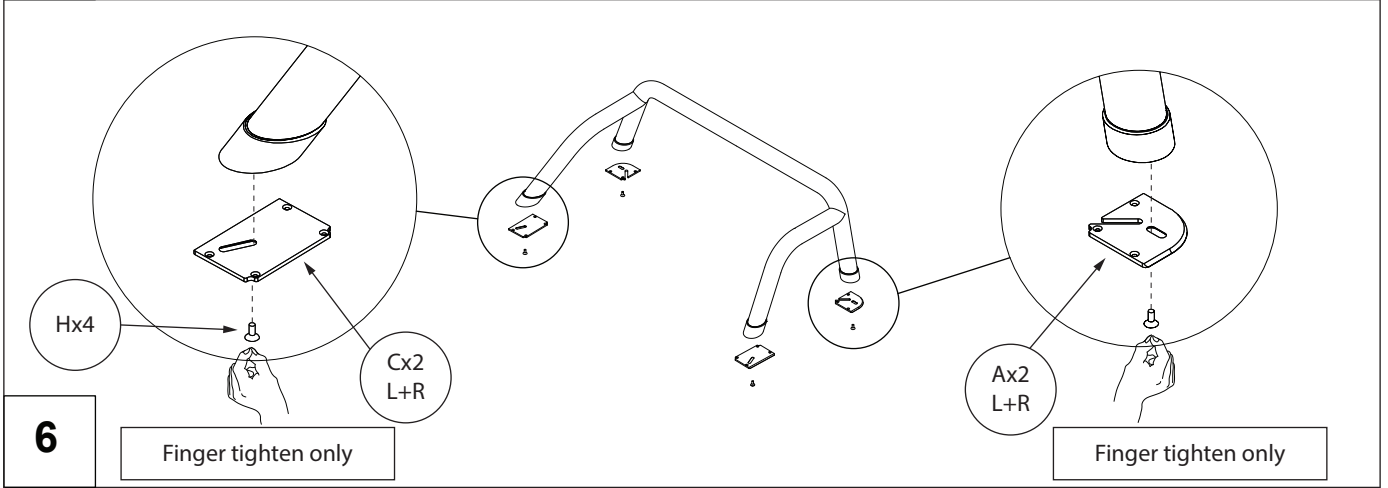
<p>A</p>  <p>Left + Right 2X</p>	<p>B</p>  <p>Left + Right 2X</p>	<p>C</p>  <p>Left + Right 2X</p>		
<p>D</p>  <p>Left + Right 2X</p>	<p>E</p>  <p>M6X20mm 14X</p>	<p>F</p>  <p>M6X13mm 14X</p>		
<p>G</p>  <p>M6 14X</p>	<p>H</p>  <p>M8x15mm 4X</p>			
<p> - New component</p> <p> - Existing component</p>	<p>Note 1: If at any stage of installation you find your sportlid to be an unacceptable fit please contact the manufacturer before continuing.</p> <p>Note 2: This kit is only applicable to the Ford Ranger 11+ DC/XC OE bar compatible Upstone Evolve lids.</p>			
<p style="text-align: center;">Tools Required</p> <div style="display: flex; justify-content: space-around; align-items: center;"> <div style="text-align: center;">  </div> <div style="text-align: center;">  <p>4mm & 5mm Hex Key</p> </div> <div style="text-align: center;">  <p>14mm Wrench</p> </div> </div>				
<p>Fitting Kit Number K429</p>	<p>Product Ford OE Bar</p>	<p>Revision 1</p>	<p>Date 15.01.16</p>	<p>Page 1 of 3</p>



Fitting Kit Number	Product	Revision	Date	Page
K429	Ford OE Bar	1	15.01.16	2 of 4



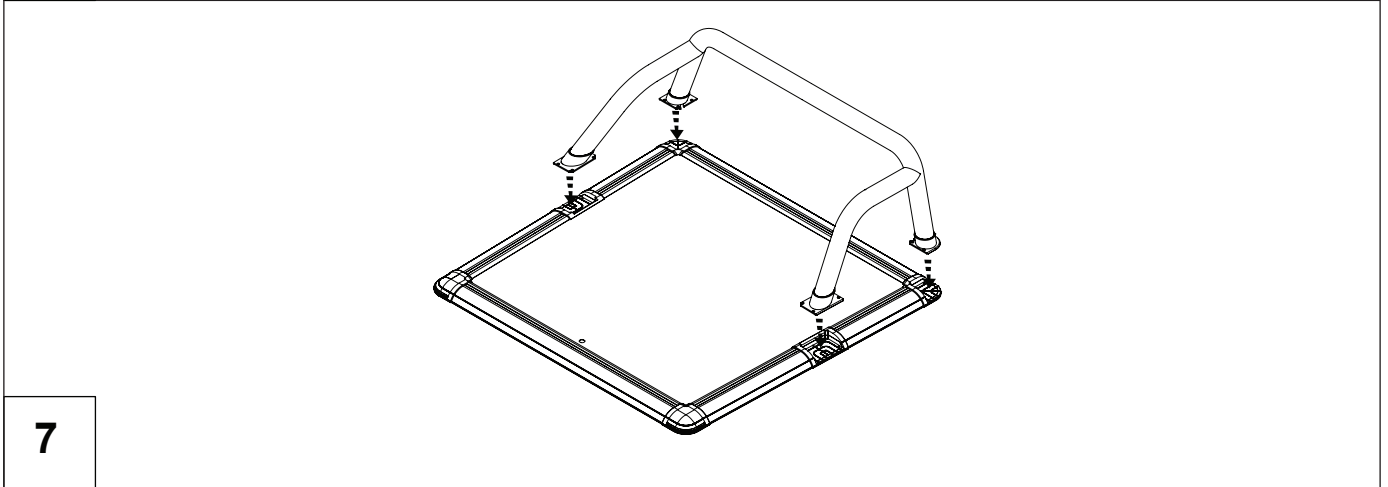
5



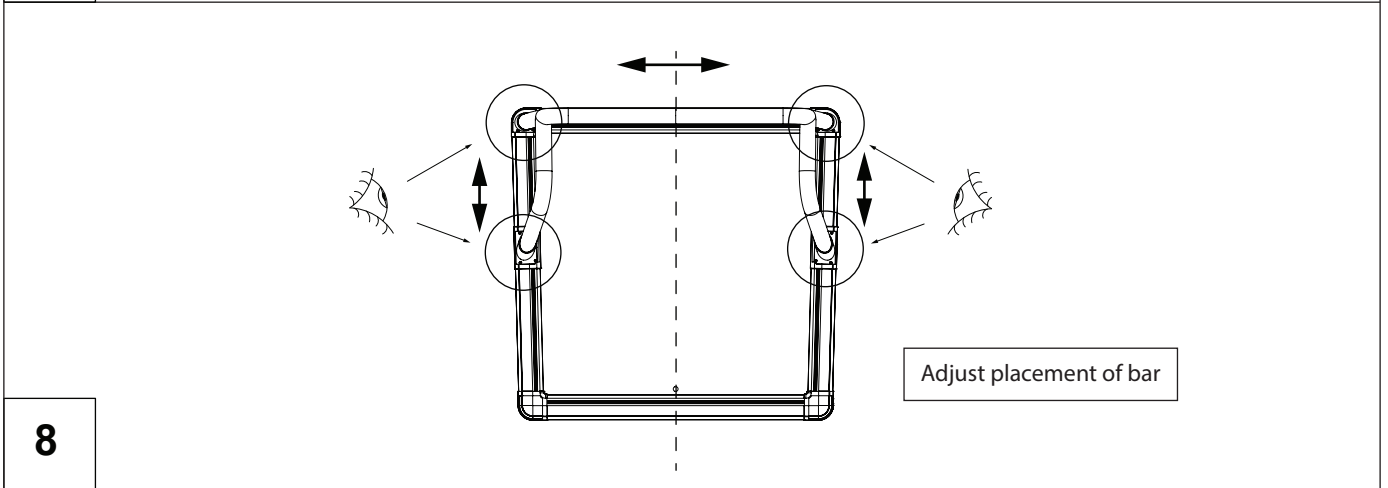
6

Finger tighten only

Finger tighten only



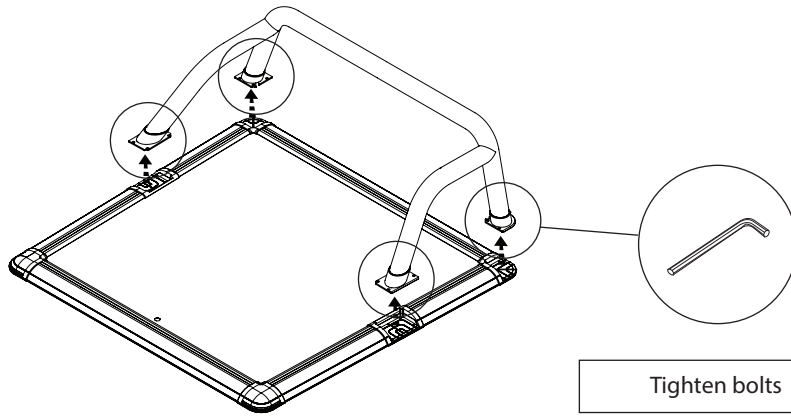
7



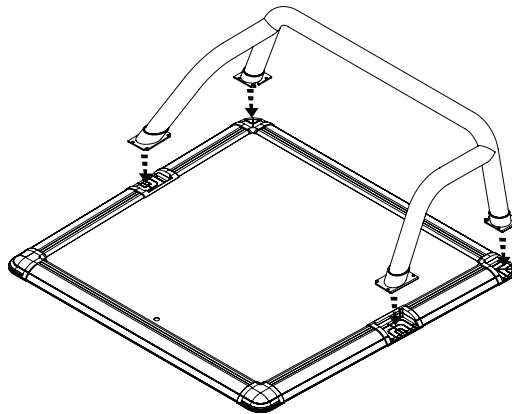
8

Adjust placement of bar

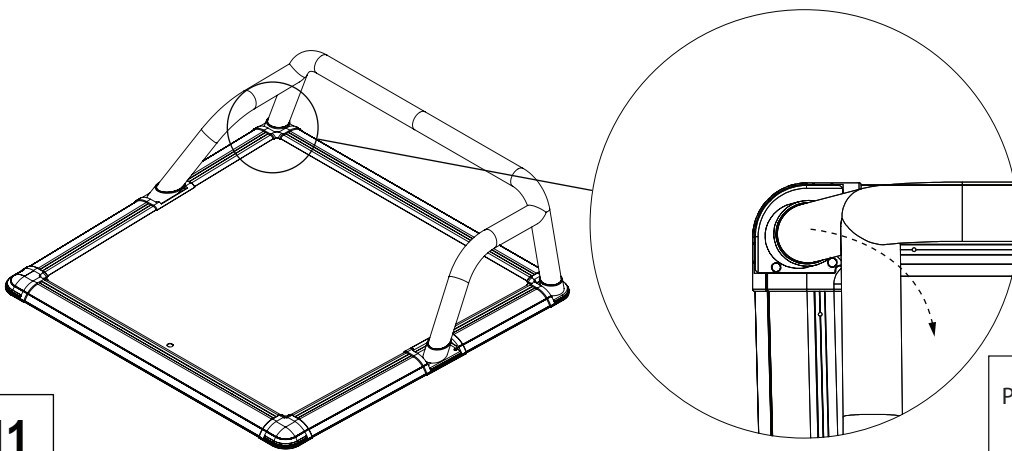
Fitting Kit Number	Product	Revision	Date	Page
K429	Ford OE Bar	1	15.01.16	3 of 4



9

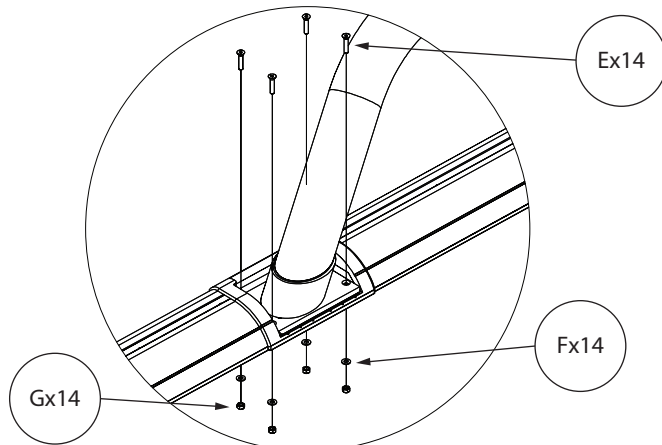
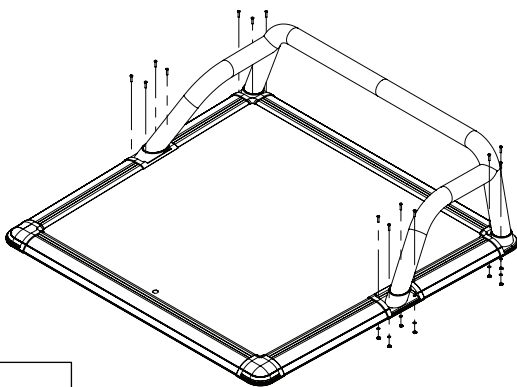


10



Pass brake light cable through drilled hole and into lid.

11

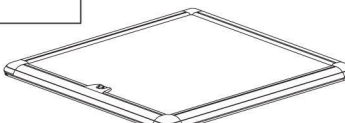
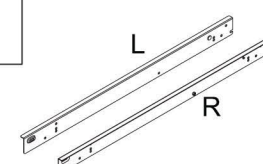
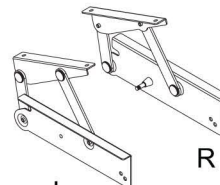
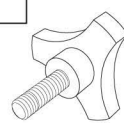
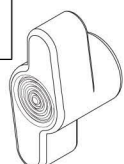
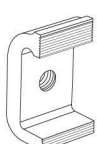
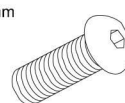
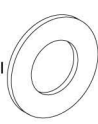
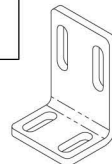


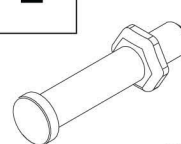
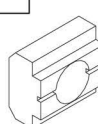
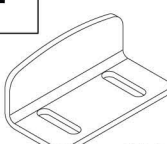
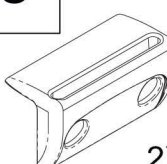
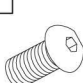


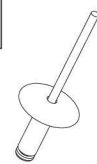
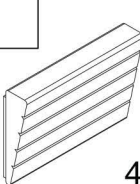


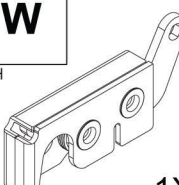
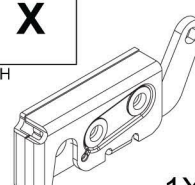


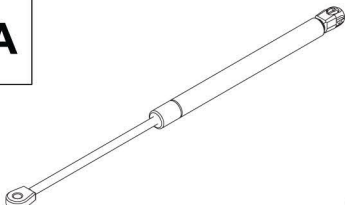
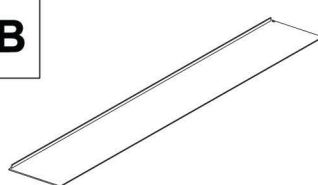
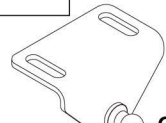

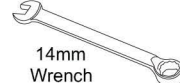
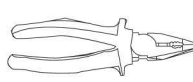
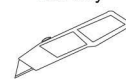


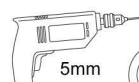
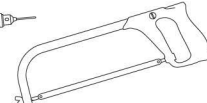


12

Fitting Kit Number	Product	Revision	Date	Page
K429	Ford OE Bar	1	15.01.16	4 of 4

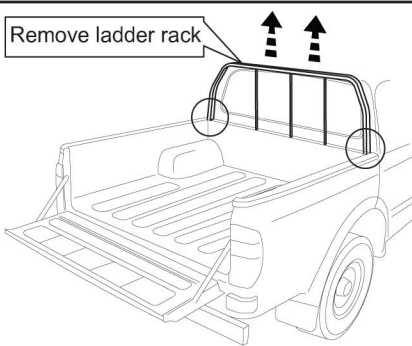
UpStoneEvolve

INSTALLATION INSTRUCTIONS K408

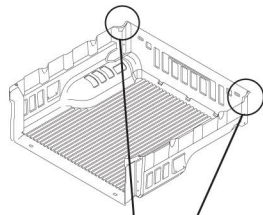
A  1X	B  1X	C  1X	D  2X		
E  2X	F  4X	G M8x25mm  4X	H M8 x16 Stainless Steel Washer  6X	I  2X	J M8 Nylock  4X
K M8 Stainless Steel Spring Washer  2X	L  2X	M  2X	N  2X	O  2X	P M6x18  16X
Q M6x13mm Zinc  12X	R M6x10mm  12X	S  4X	T  4X	U M10x24mm  4X	V M8 x16 Zinc Washer  8X
W RH  1X	X LH  1X	Y M5 Cable Bolt, Washer & Dome Nut  2X	Z  2X	AA  2X	
AB  1X	AC  2X	<p>Note 1: If at any stage of installation you find your sportlid to be an unacceptable fit please contact the manufacturer before continuing.</p> <p>Note 2: If required, use Under Rail Bed Liner only. NOT FOR USE WITH OVER RAIL BED LINER!</p> <p>Tools Required:</p>      <p>OPTIONAL</p>   			

1

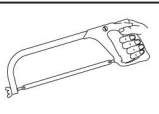
Remove ladder rack



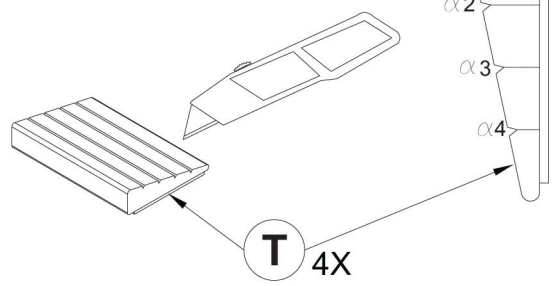
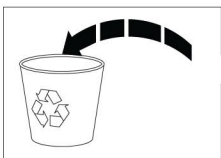
Note 2: If required, use Proform Under Rail Bed Liner only. Not for use with Over Rail Bed Liner.



Follow guide lines to trim liner in front corners.

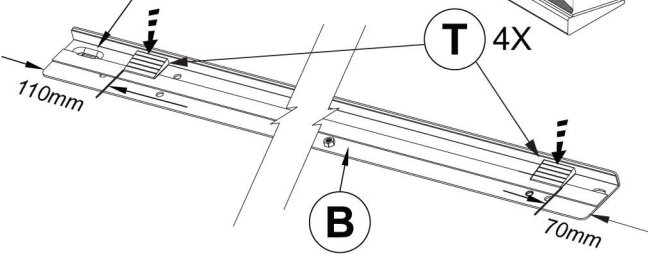
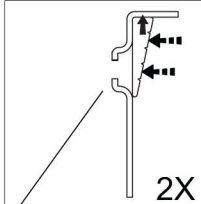


2

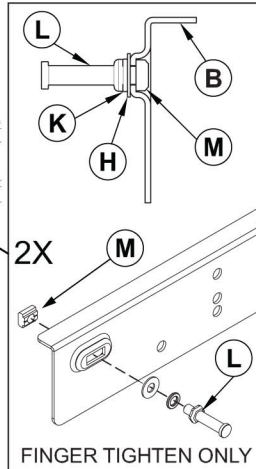
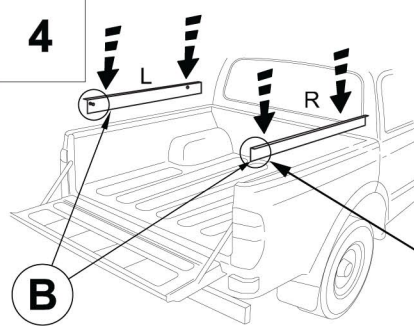


Vehicle Model	α
Ford Ranger T6 Double & Extra Cab 2011 2AB	2

3

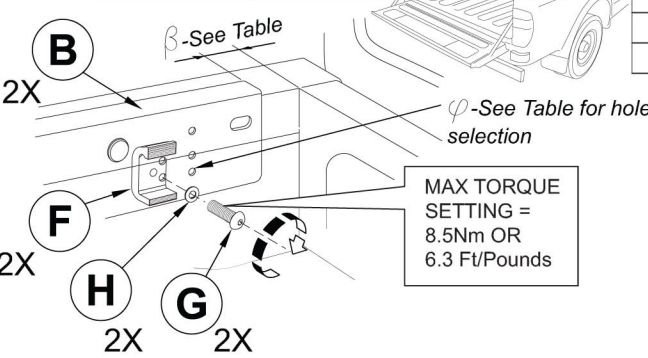


4

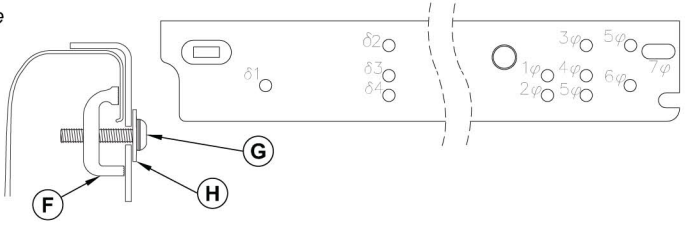


5

Place front of side mounting brackets back from inside corners of the cargo box - See table for measurement

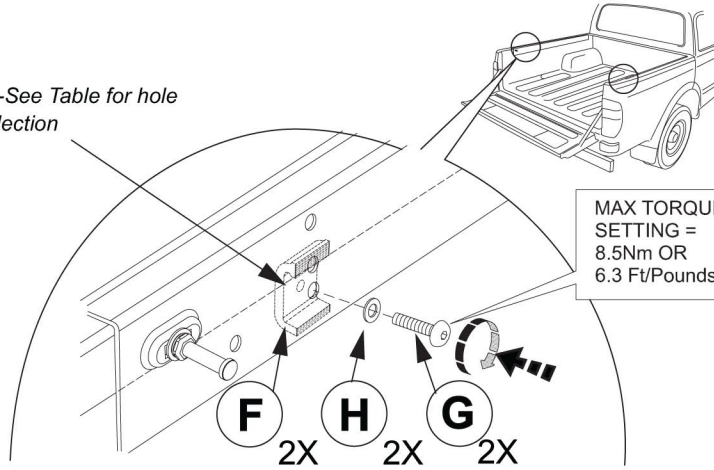


Vehicle Model	β	δ	φ
Ford Ranger T6 Double & Extra Cab 2011 2AB	72.4mm	4	3

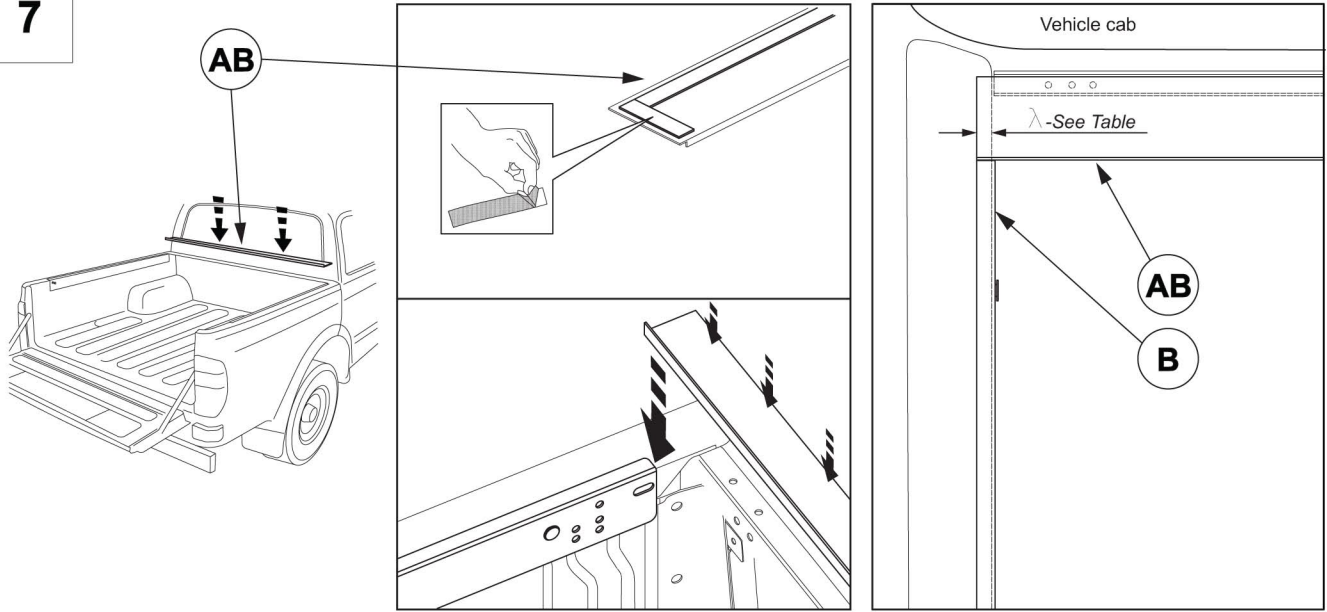


6

⌀ -See Table for hole selection



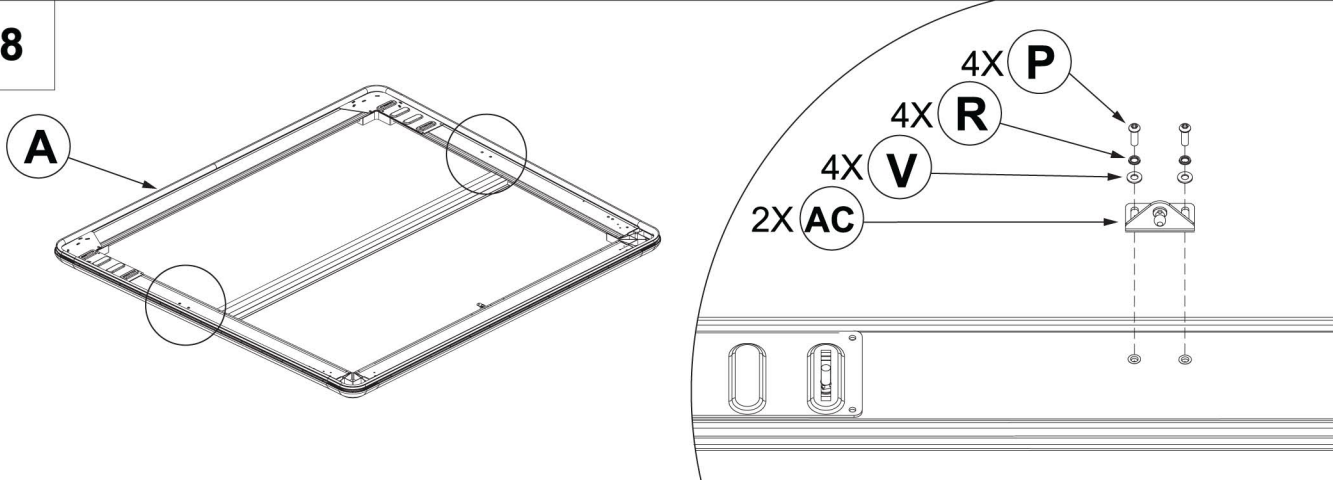
7



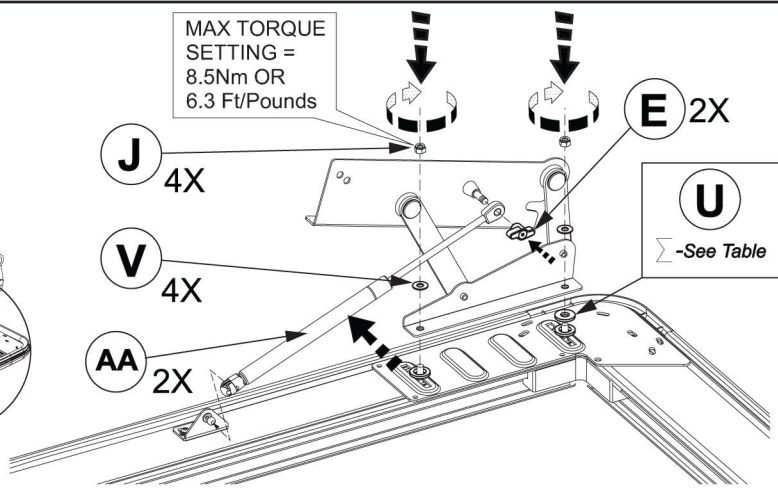
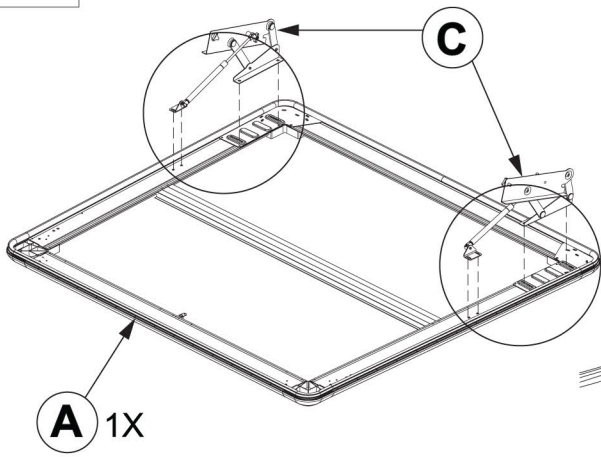
Vehicle Model	λ
Ford Ranger T6 Double & Extra Cab 2011 2AB	37.5mm

! DO NOT apply below 15°C.
Apply pressure to part. Adhesive is pressure activated.
Allow 3hrs minimum to cure before installing lid

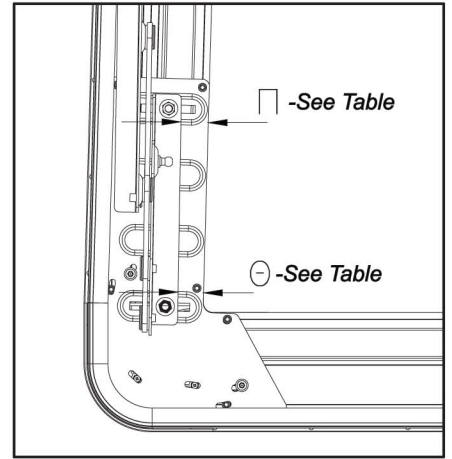
8



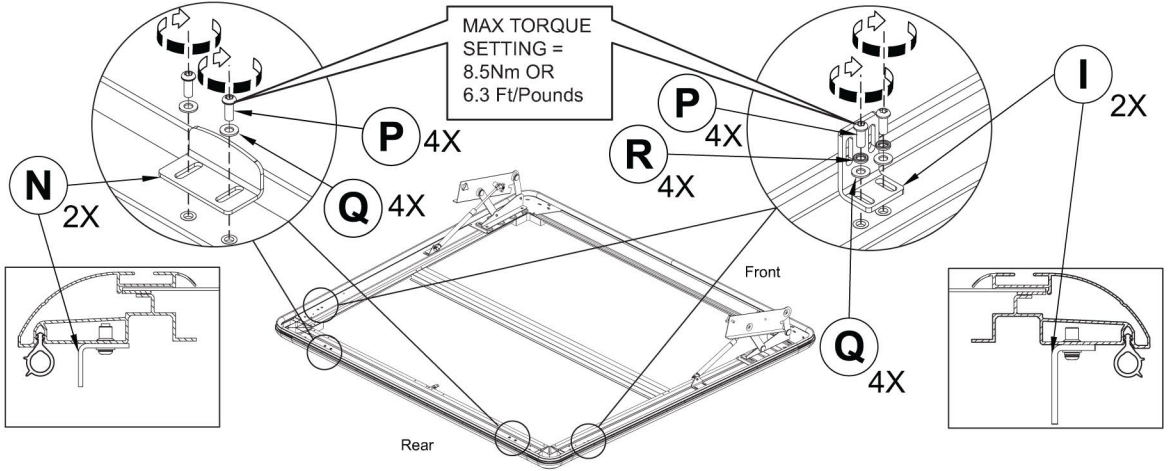
9



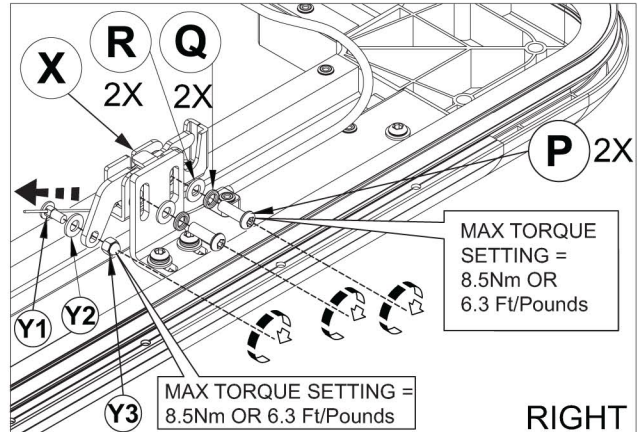
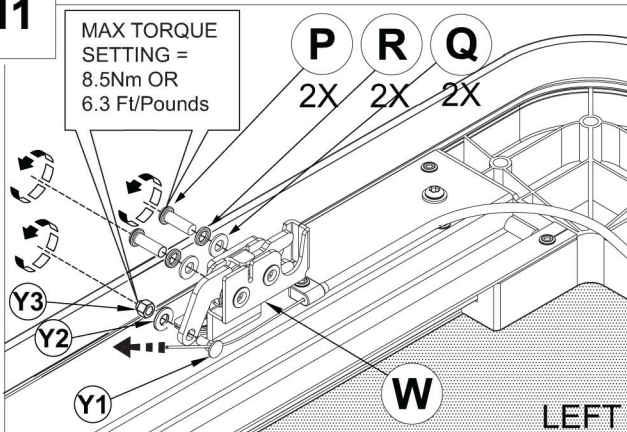
Vehicle Model	□	⊖	Σ
Ford Ranger T6 Double & Extra Cab 2011 2AB	16mm	16mm	2 Qty



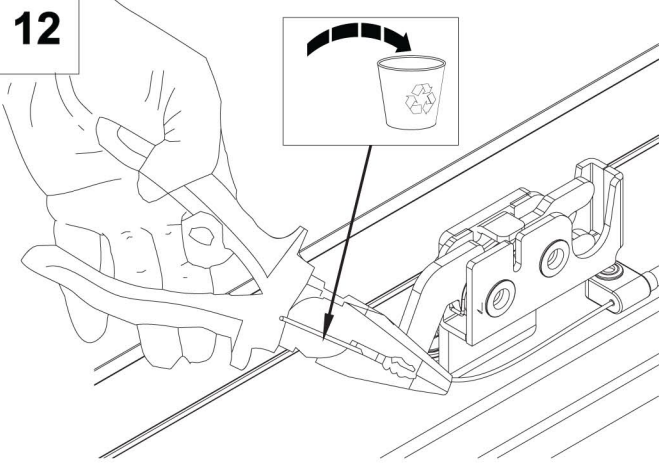
10



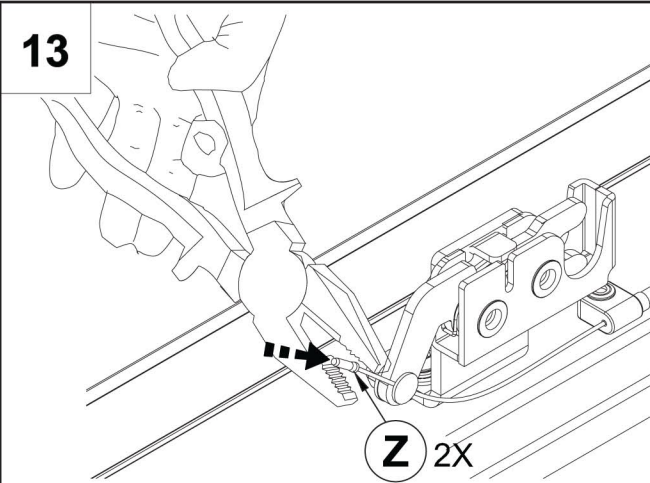
11



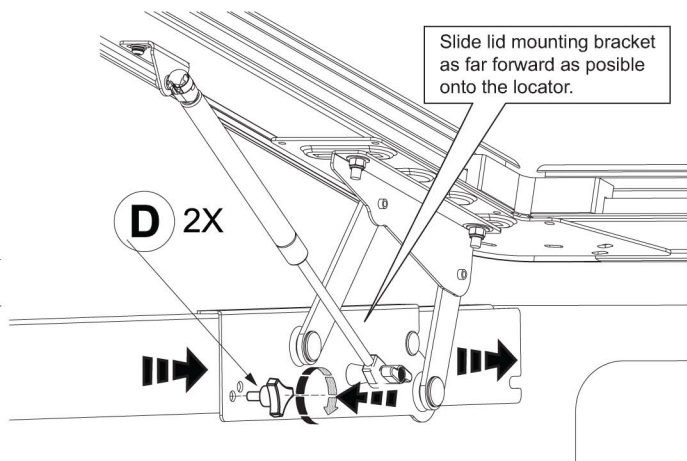
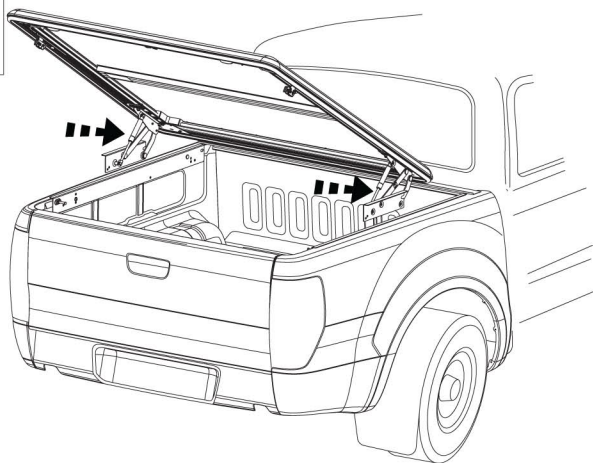
12



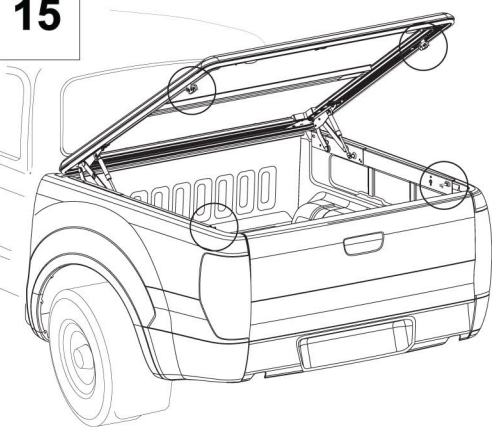
13



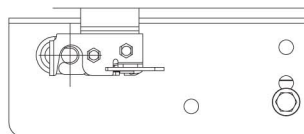
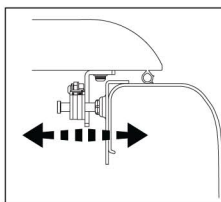
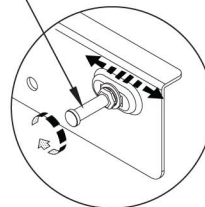
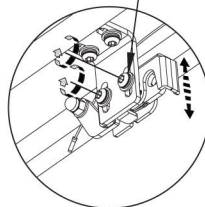
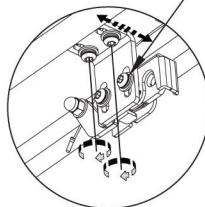
14



15

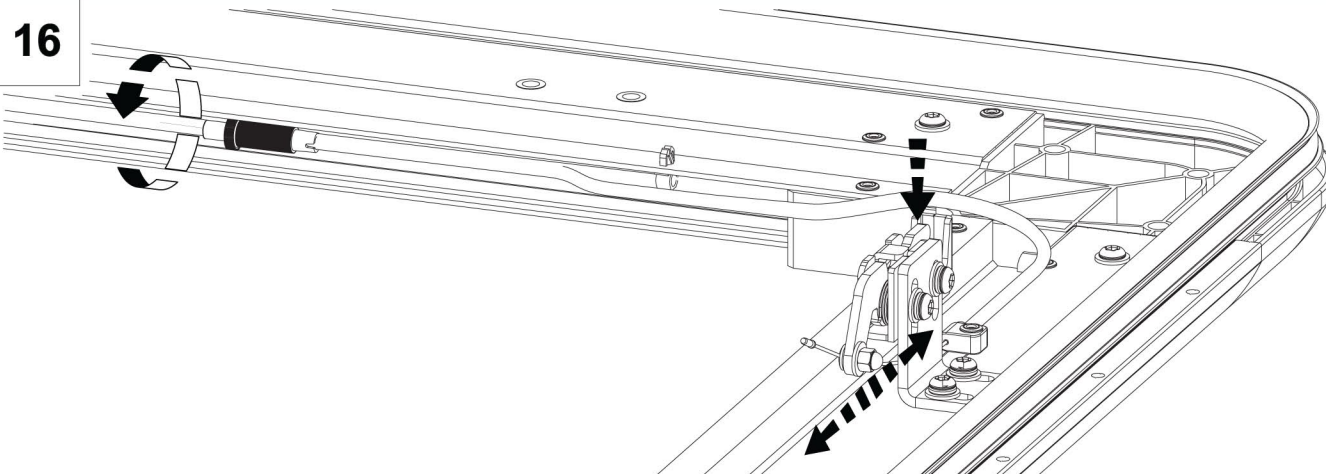


MAX TORQUE SETTING = 8.5Nm OR 6.3 Ft/Pounds



Adjust latch bracket, latch height and pin location to align pin with centre of latch. Adjust cable tension to achieve correct latching **IMPORTANT!** : Ensure seal contacts vehicle in all areas

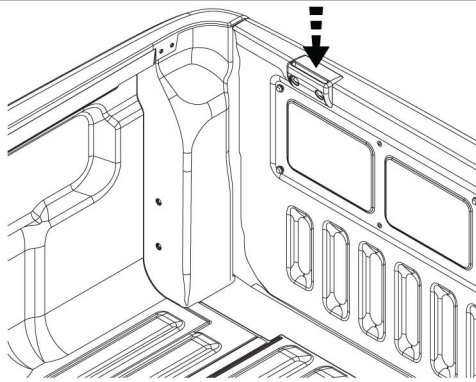
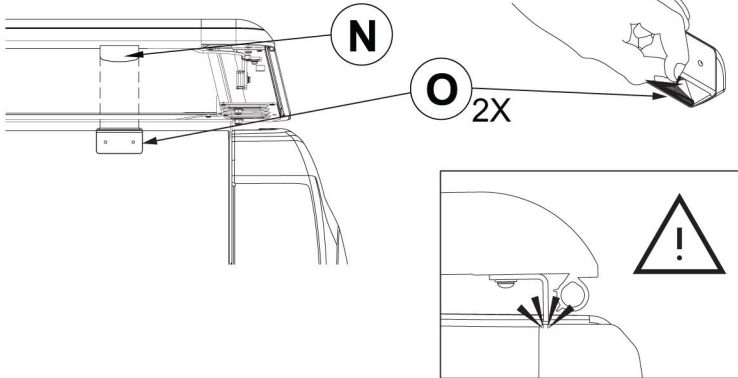
16



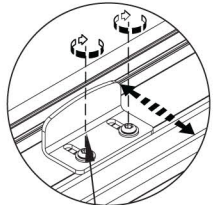
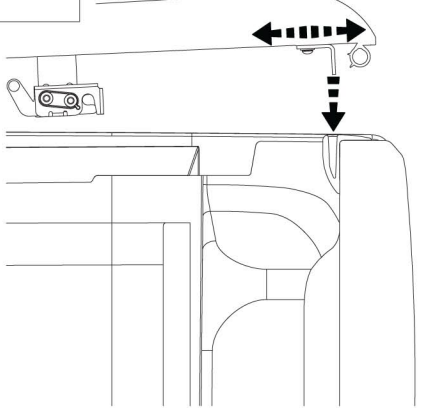
17



DO NOT apply below 15°C.
Apply pressure to part. Adhesive is pressure activated.
Allow 3hrs minimum to cure.



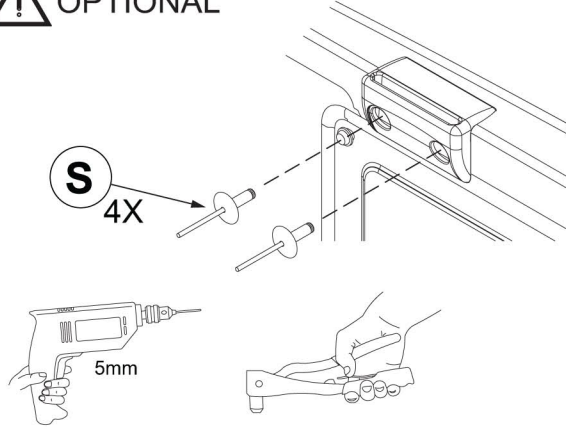
18



MAX TORQUE
SETTING =
8.5Nm OR 6.3
Ft/Pounds

19

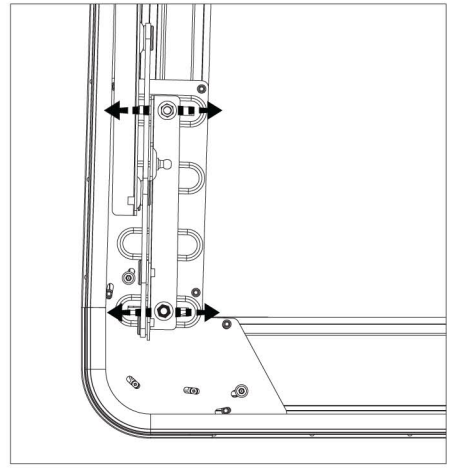
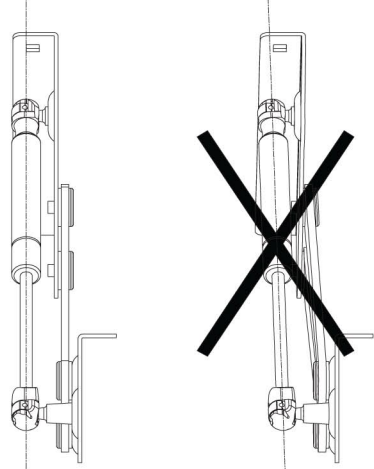
OPTIONAL



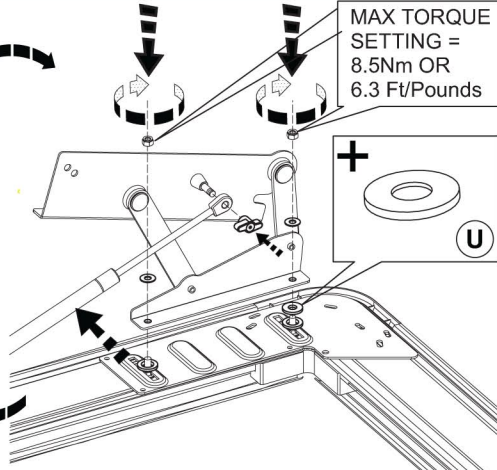
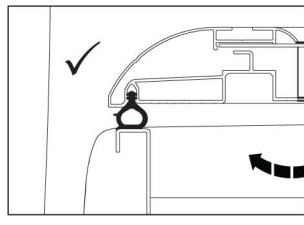
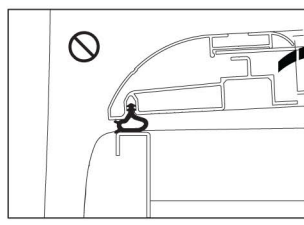
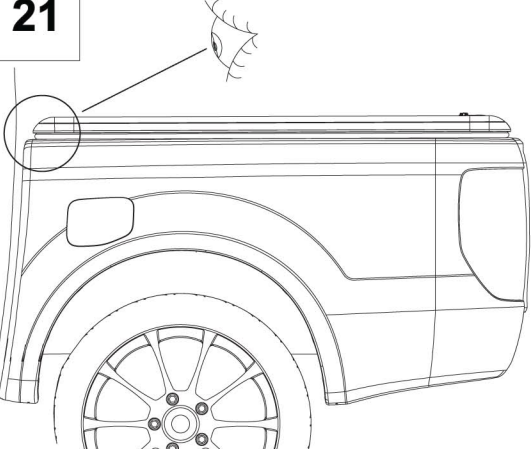
20

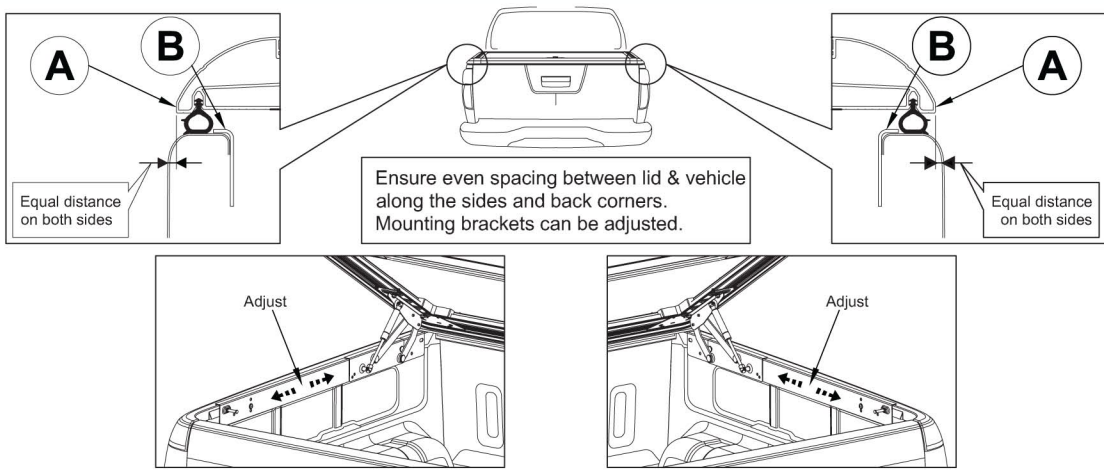


Insure hinge is not
twisted.
Adjust connection
to lid if nessessary.



21





After installation carefully and thoroughly clean all debris from the inside of the cargo box.
Retain these instructions for future reference



CAUTION!

- NEVER allow people or animals under the closed cover
- Do not place unsealed solvents or chemicals under the cover
- Do not stand or place heavy objects on the cover
- Do not open lid when under load.
- Close the cover before operating the vehicle
- Do not allow oil, solvents or chemicals to contact the cover
- Clean only with a mild detergent and water solution