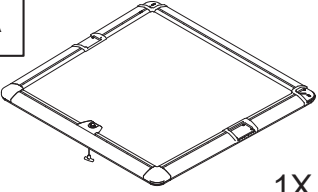
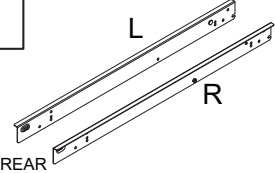
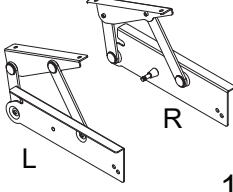
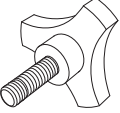
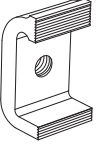
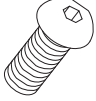
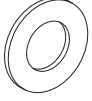
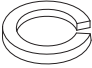
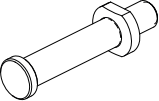
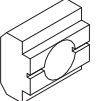
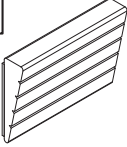
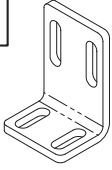

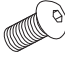


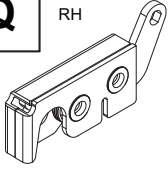
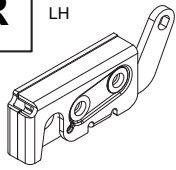



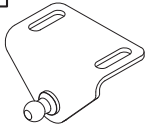
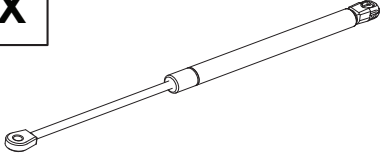
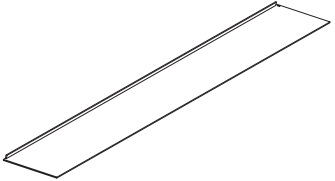


# UpStoneEvolve

## INSTALLATION INSTRUCTION MANUAL

### ISUZU D-MAX 2020+ SPACE CABINE EVOSR1050S

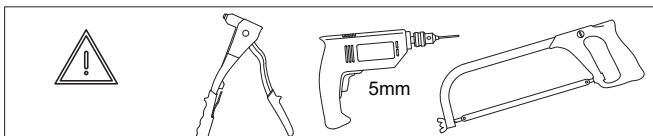
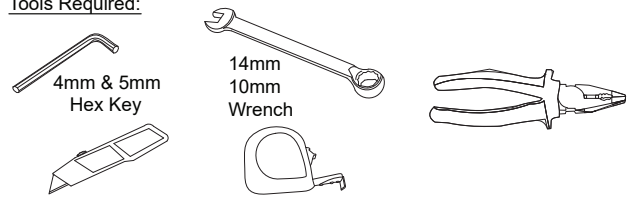
■ COVER EVOSR1050S  
■ KIT1050RLBF

<b>A</b>  1X	<b>B</b>  1X	<b>C</b>  1X	<b>D</b>  2X		
<b>E</b>  Incl. kit 610 4X	<b>F</b> M8x25mm  4X	<b>G</b> M8X16 Stainless Steel Washer  Incl. kit 607/610 10X	<b>H</b> M8 Stainless Steel Spring Washer  Incl. kit 610 2X	<b>I</b>  Incl. kit 610 2X	<b>J</b>  Incl. kit 610 2X
<b>K</b>  Incl. kit 610 4X	<b>L</b>  x2 Incl. kit 607 2X	<b>M</b> M8 Nylock  x4 Incl. kit 607 4X	<b>N</b> M6X18  x8 Incl. kit 607 8X	<b>O</b> M6X13 mm Zinc  x8 Incl. kit 607 8X	<b>P</b> M6 Stainless Steel Spring Washer  x8 Incl. kit 607 8X
<b>Q</b> RH  Incl. kit 607 1X	<b>R</b> LH  Incl. kit 607 1X	<b>S</b> M5 Cable Bolt, Washer & Dome Nut  Incl. kit 607 2X	<b>T</b>  Incl. kit 607 2X	<b>U</b>  2X	<b>V</b>  2X
<b>X</b> Gas springs  2X	<b>Y</b>  1X				

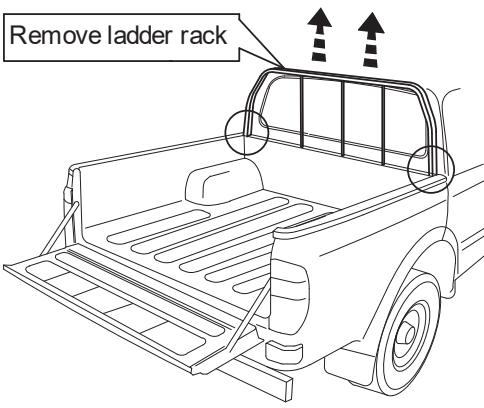
**Note 1:** If at any stage of installation you find your sportlid to be an unacceptable fit please contact the manufacturer before continuing.

**Note 2:** If required, use Under Rail Bed Liner only. **NOT FOR USE WITH OVER RAIL BED LINER!**

**Tools Required:**



1

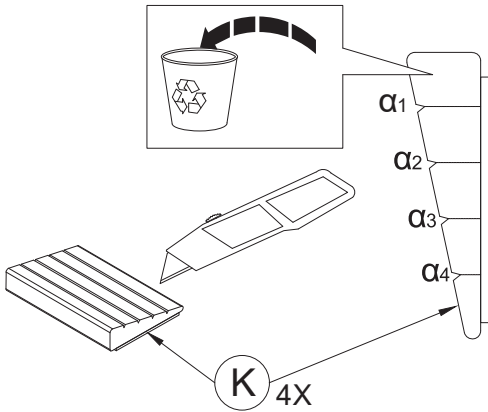


Note 2: If required, use Proform Under Rail Bed Liner only. Not for use with Over Rail Bed Liner.

Follow guide lines to trim liner in front corners.

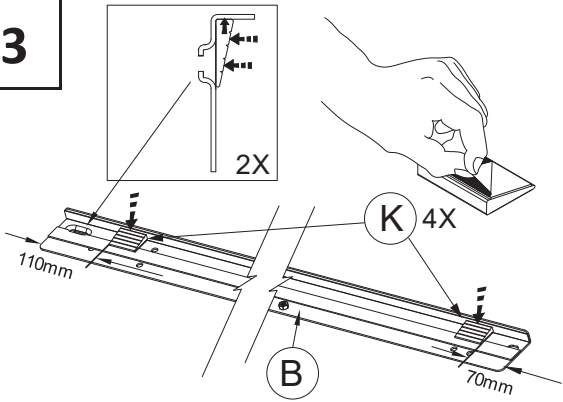


2

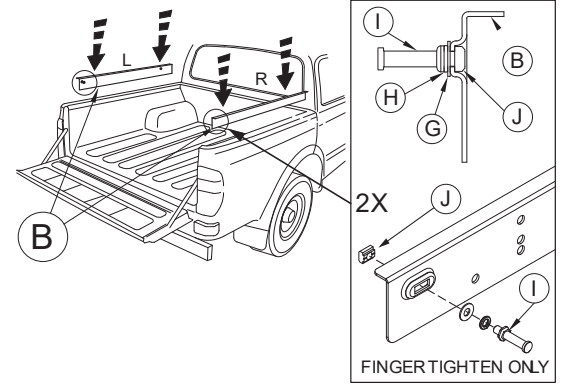


Vehicle Model	$\alpha$
ISUZU D-MAX Crew et Space Cabine 2020+ ATFS, ATFR	2

3



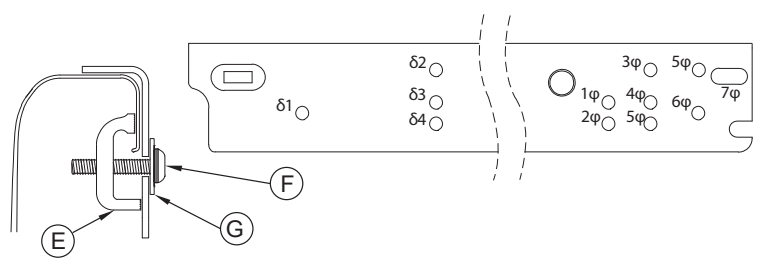
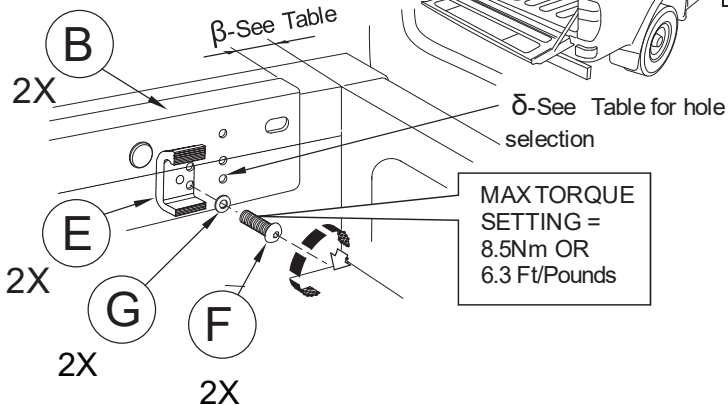
4



5

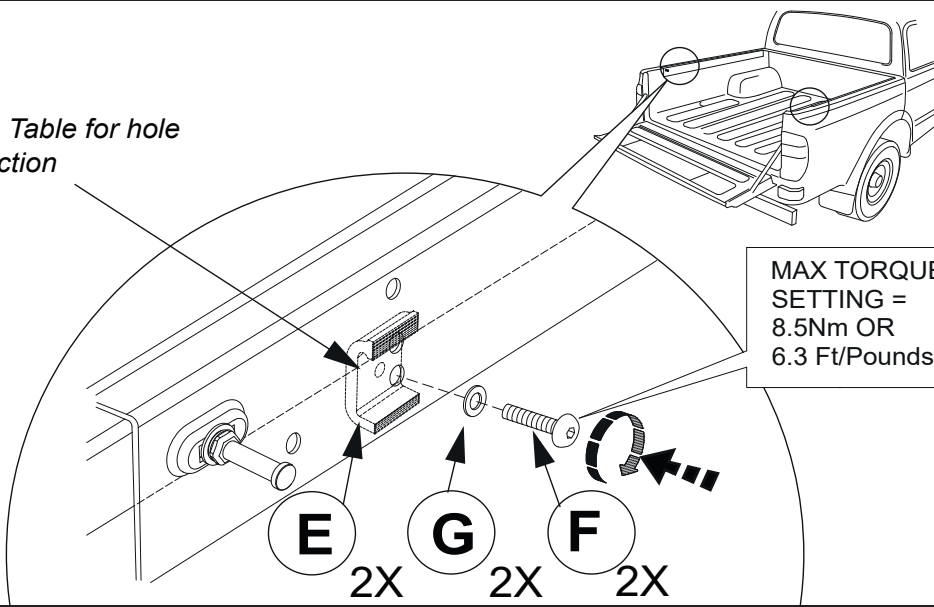
Place front of side mounting brackets back from inside corners of the cargo box - See table for measurement

Vehicle Model	$\beta$	$\delta$	$\varphi$
ISUZU D-MAX Crew et Space Cabine 2020+ ATFS, ATFR	69 mm	3	2

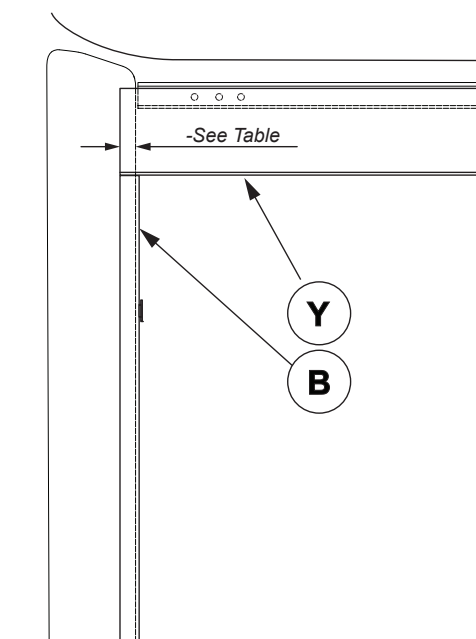
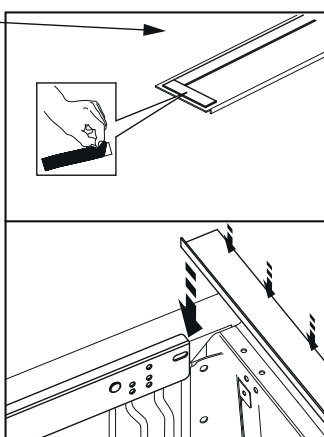
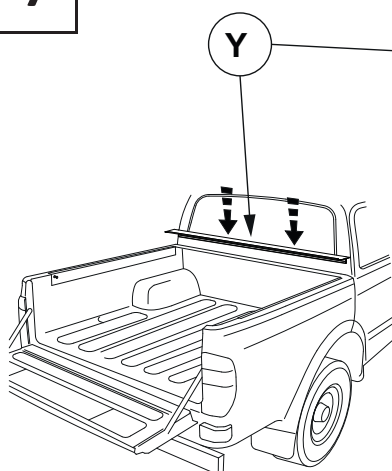


6


δ - See Table for hole selection



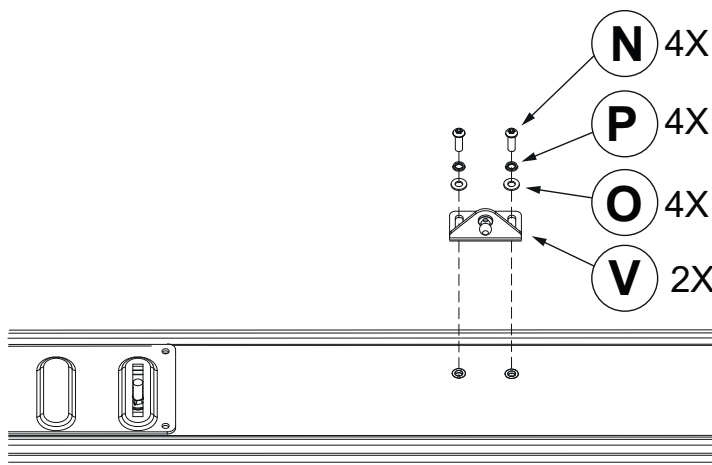
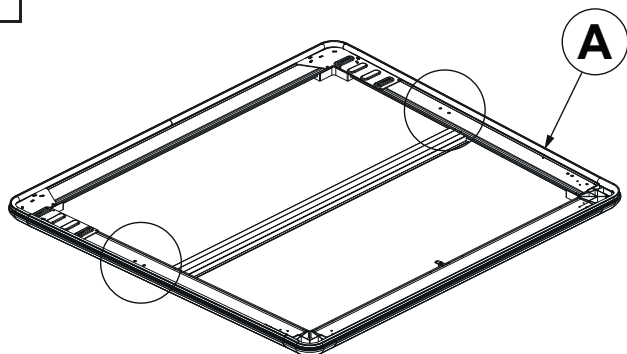
7



Vehicle Model	§
ISUZU D-MAX Crew et Space Cabine 2020+ ATFS, ATFR	28 mm

 DO NOT apply below 15°C.  
Apply pressure to part. Adhesive is pressure activated.  
Allow 3hrs minimum to cure before installing lid

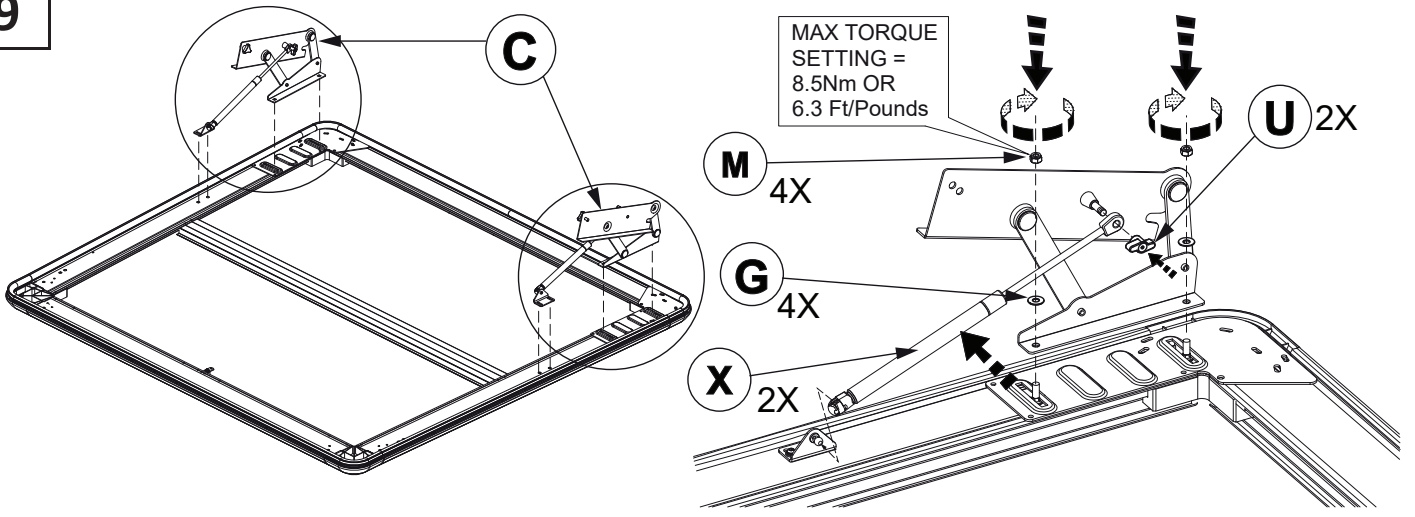
8



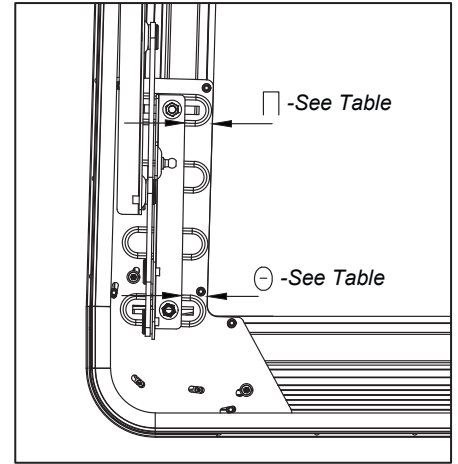
Fit

Fitting Kit Number	Product	Revision	Date	Page
EVOSR1050S	ISUZU D-MAX	2	11-09-2024	3

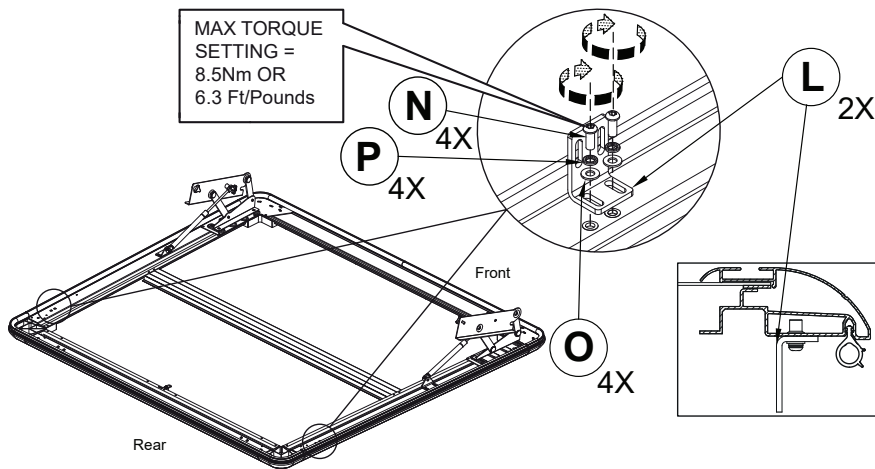
9



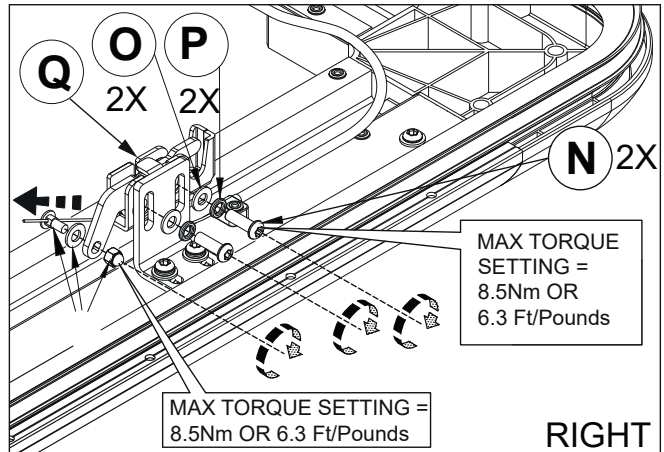
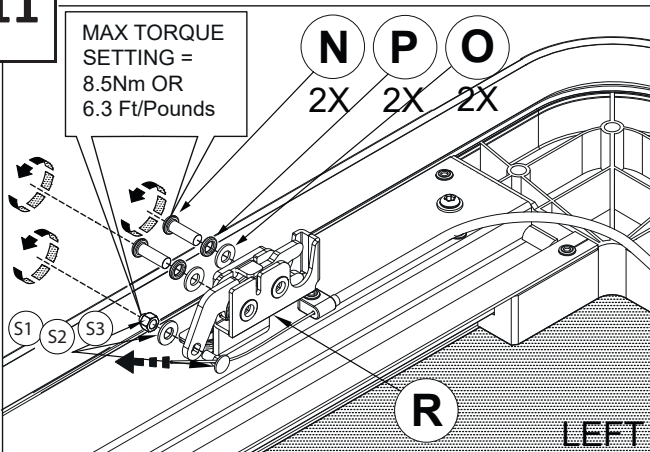
Vehicle Model	Π	Θ	Σ
ISUZU D-MAX Crew et Space Cabine 2020+ ATFS, ATFR	26mm	29mm	-



10



11



Fitting Kit Number

Product

Revision

Date

Page

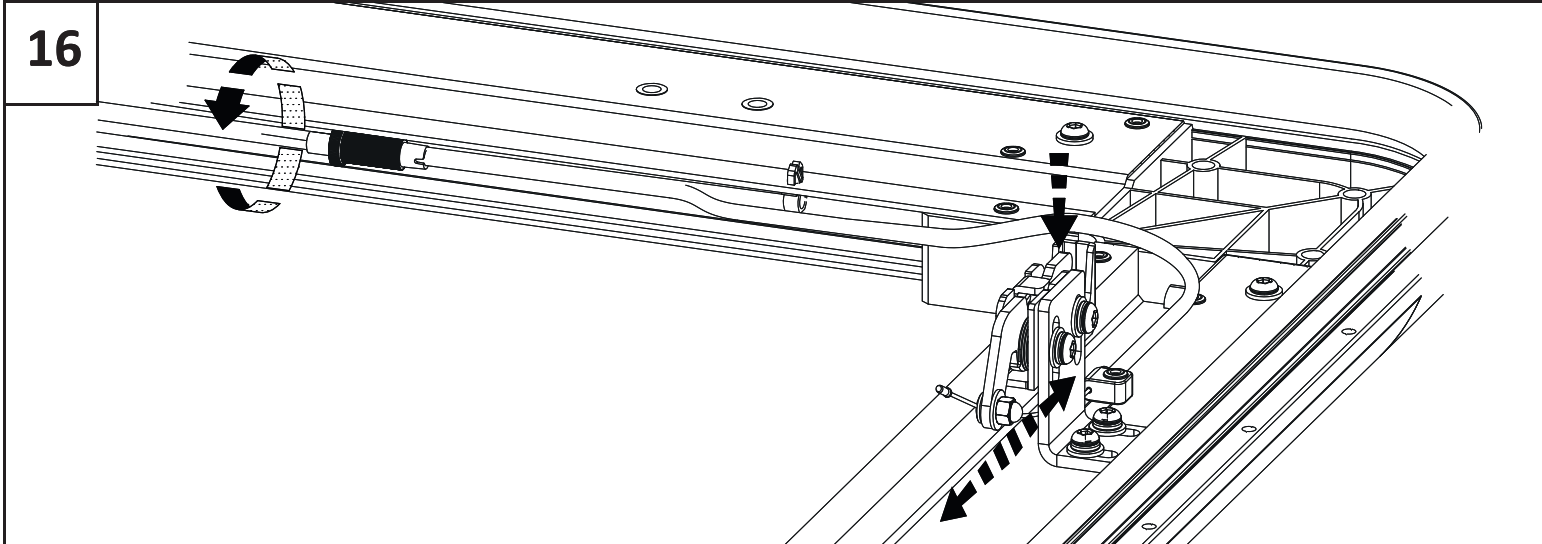
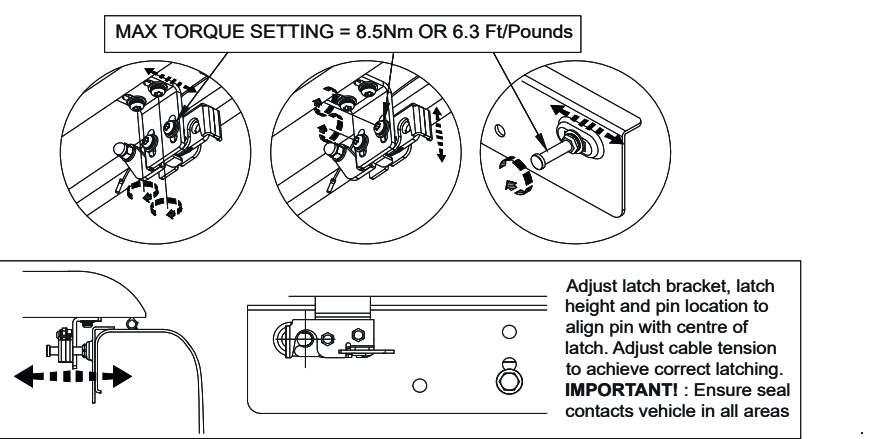
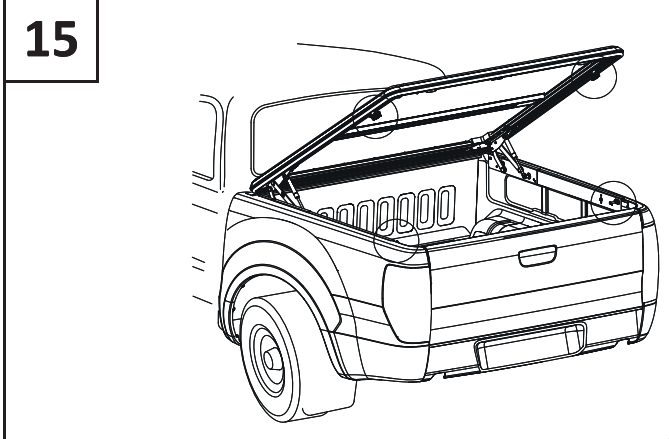
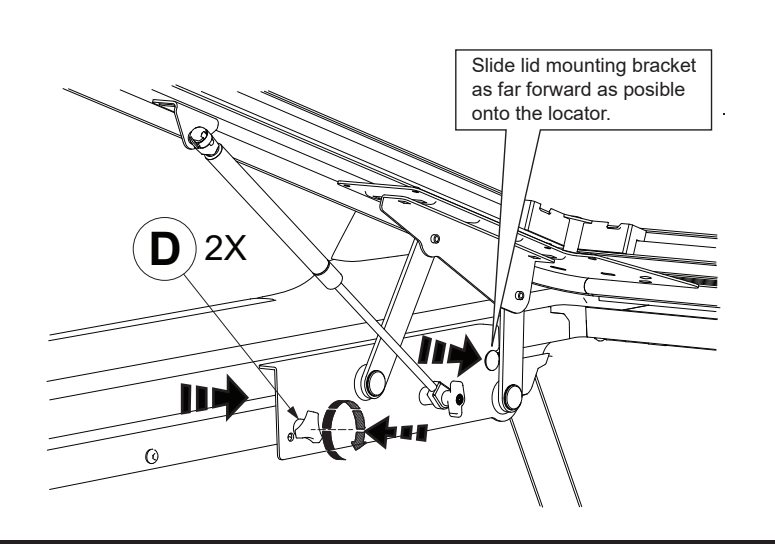
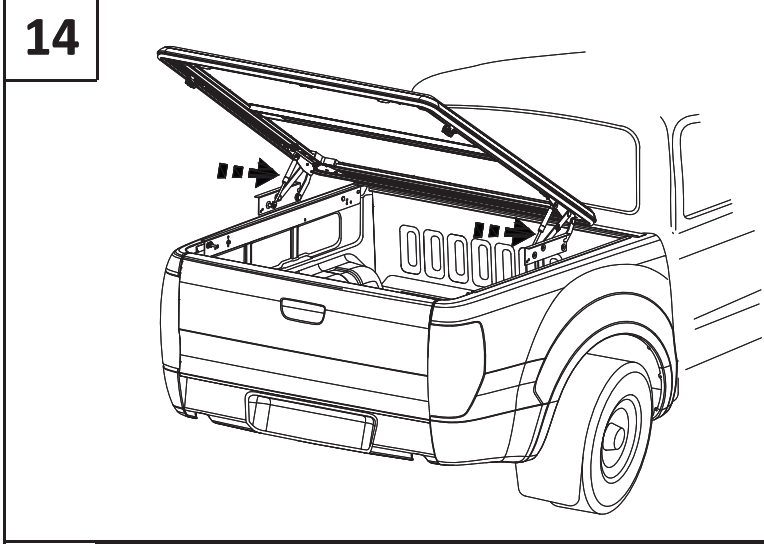
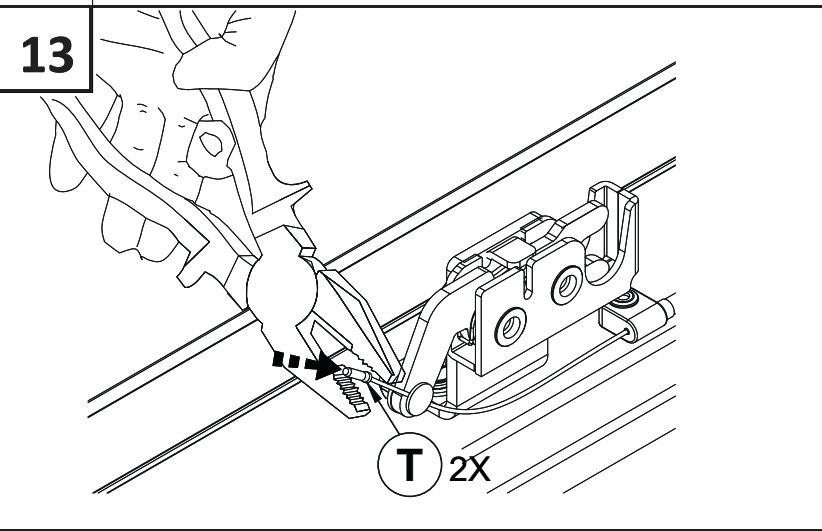
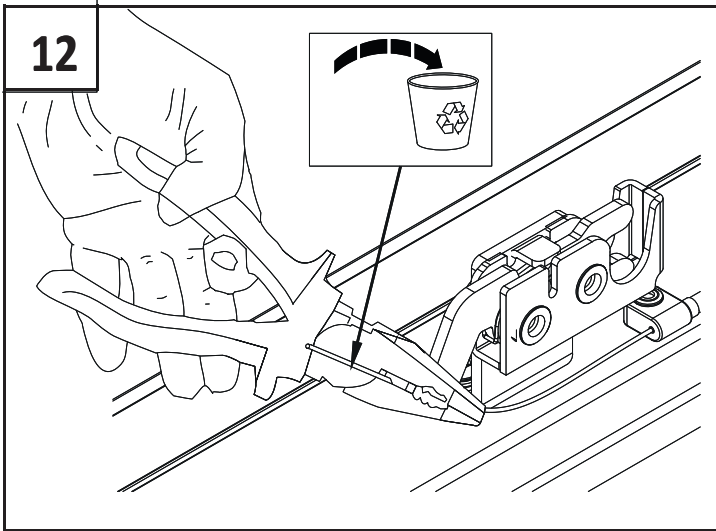
EVOSR1050S

ISUZU D-MAX

2


11-09-2024

4

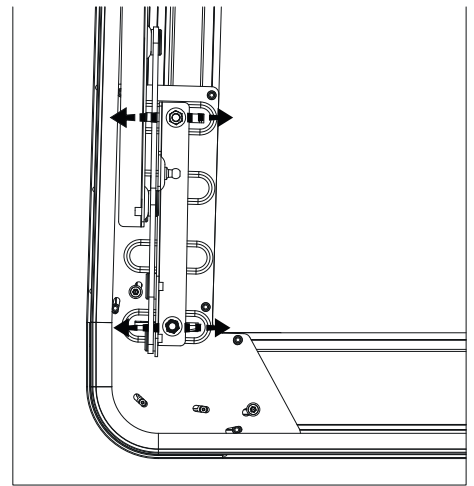
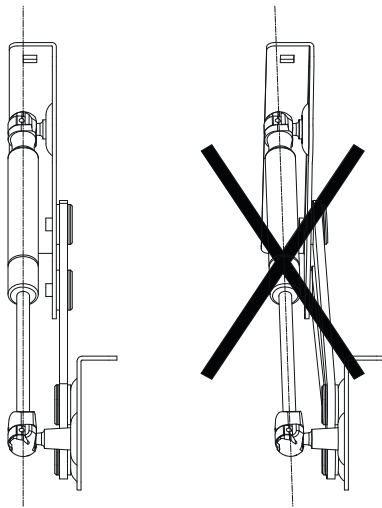


Fitting Kit Number	Product	Revision	Date	Page
EVOSR1050S	ISUZU D-MAX	2	11-09-2024	5

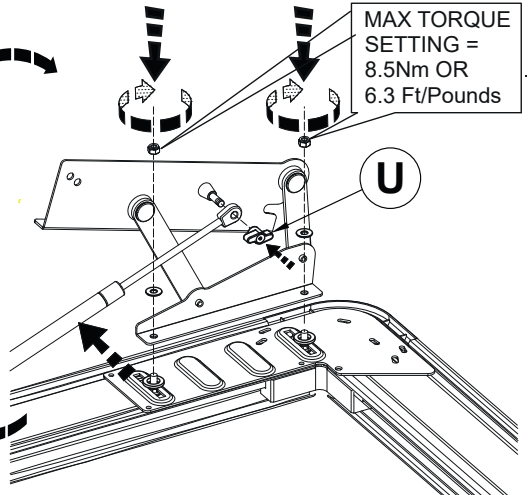
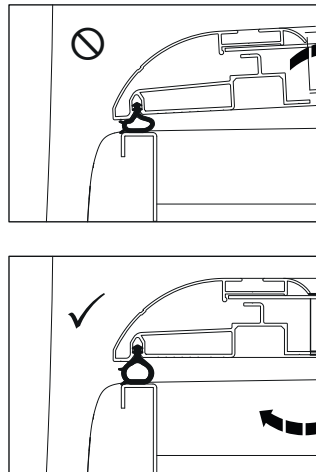
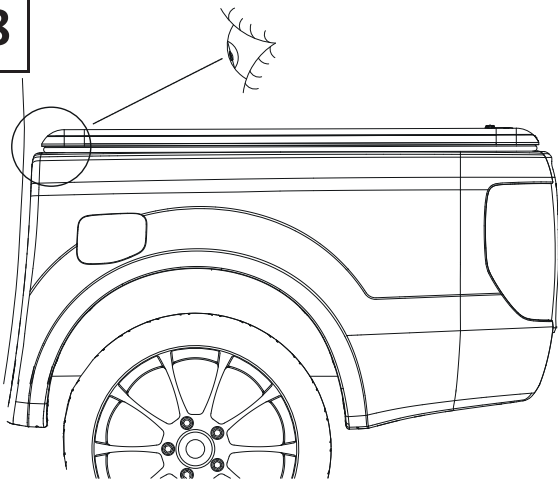
17



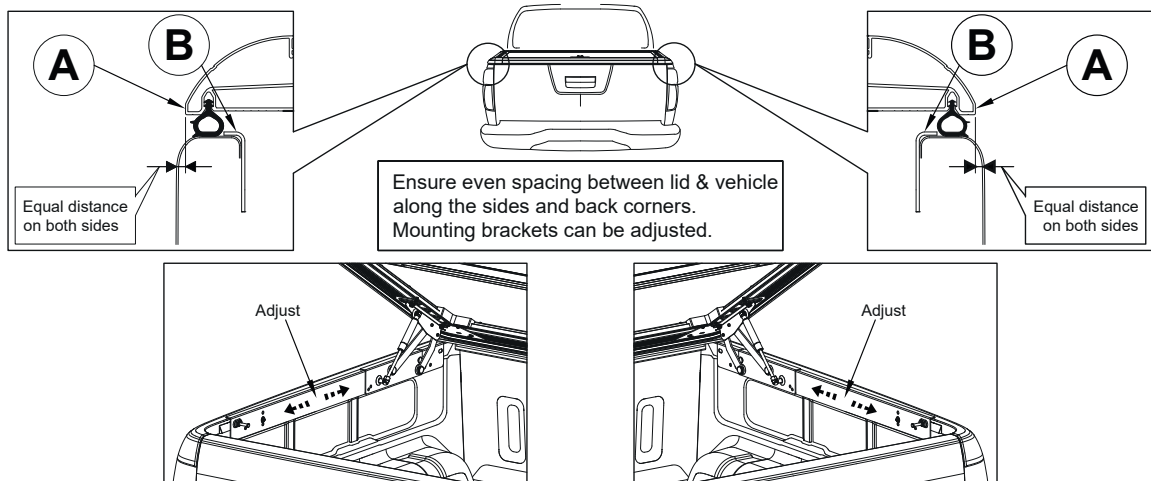
Insure hinge is not twisted.  
Adjust connection to lid if nessessary.



18



19



After installation carefully and thoroughly clean all debris from the inside of the cargo box.  
**Retain these instructions for future reference**



## **CAUTION!**

- NEVER allow people or animals under the closed cover
- Do not place unsealed solvents or chemicals under the cover
- Do not stand or place heavy objects on the cover
- Do not open lid when under load.
- Close the cover before operating the vehicle
- Do not allow oil, solvents or chemicals to contact the cover
- Clean only with a mild detergent and water solution

# ***UpStoneEvolve***

651, rue Henri Laugier.

06600 ANTIBES.

<http://www.upstone.eu> - [info@upstone.fr](mailto:info@upstone.fr)

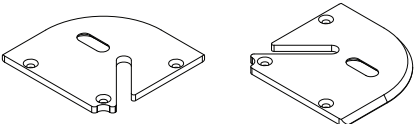
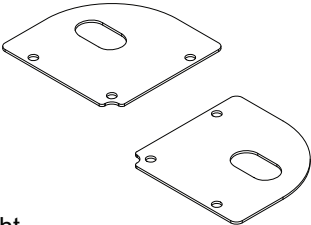
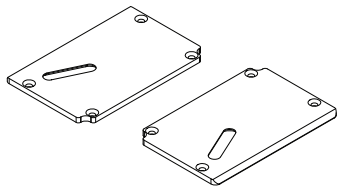
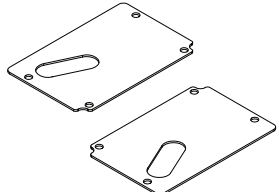
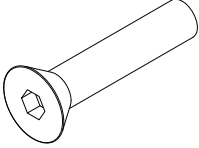
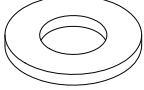
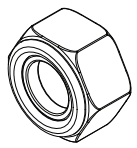
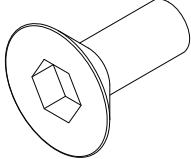
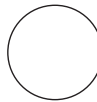

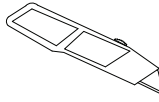

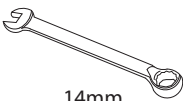
# UpStoneEvolve

## INSTALLATION INSTRUCTION MANUAL

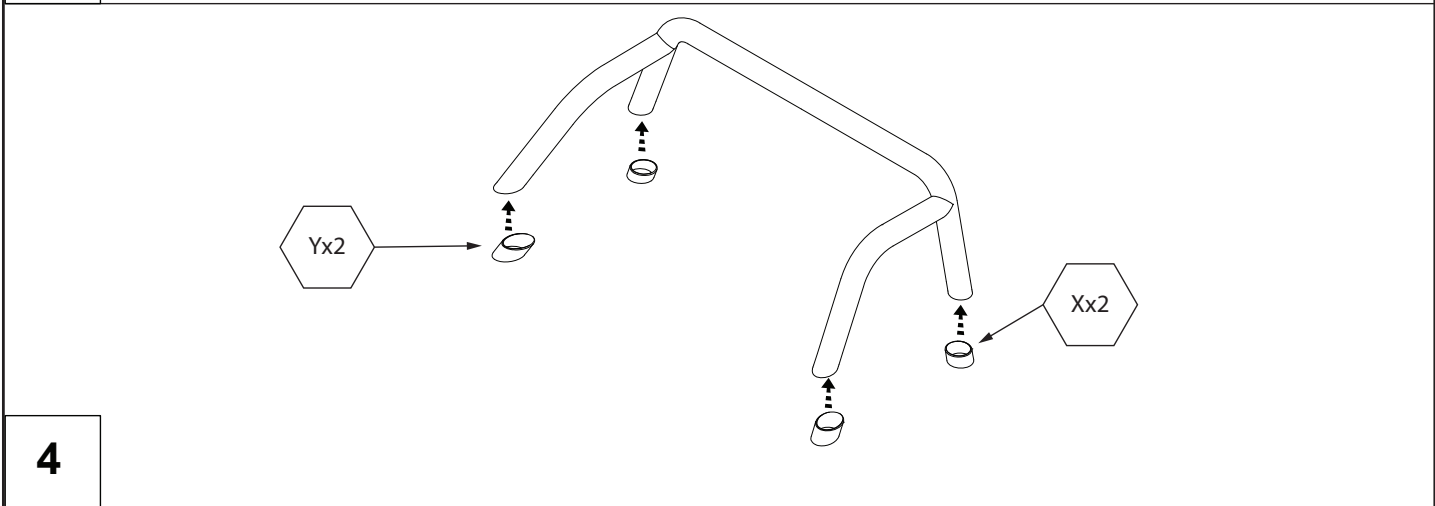
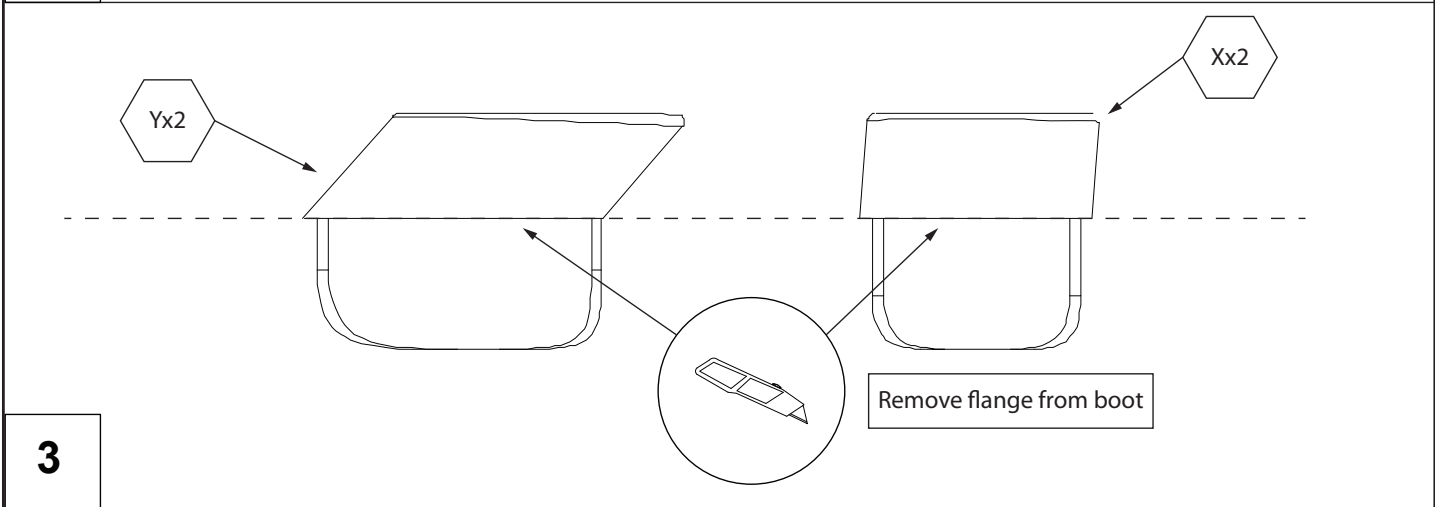
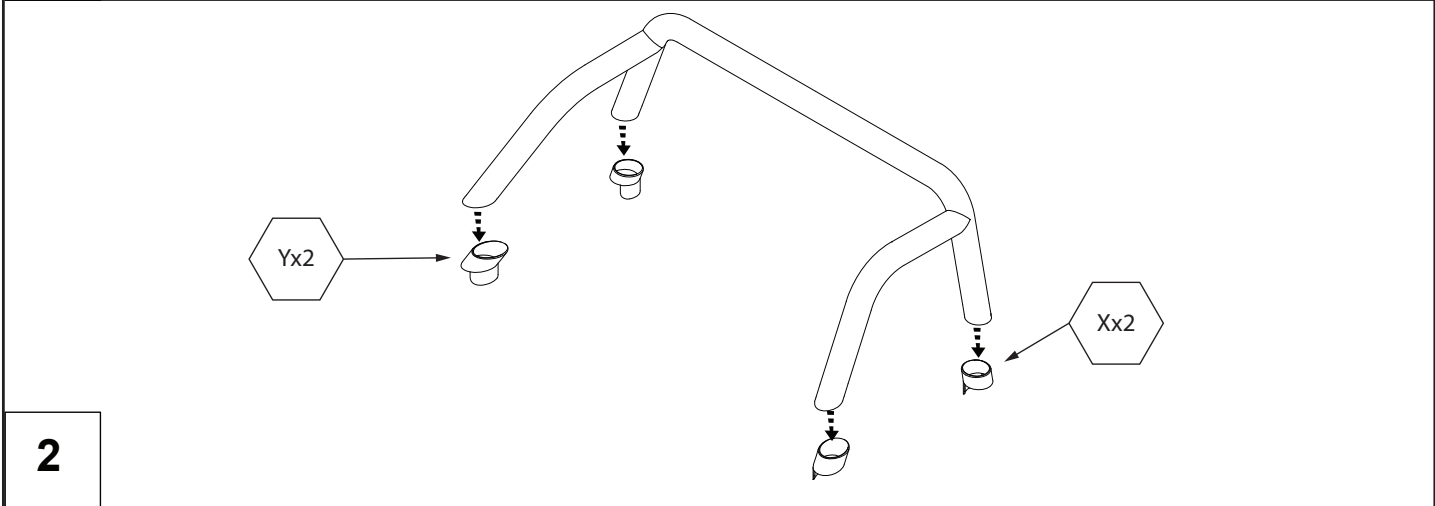
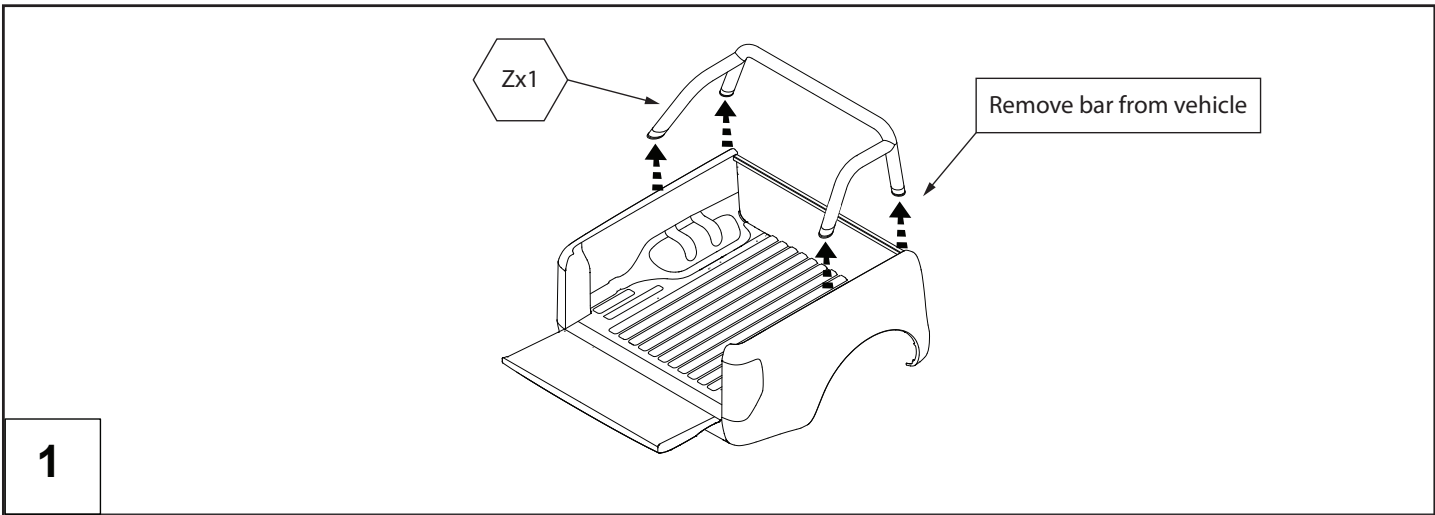
### ISUZU D-MAX 2020+ SPACE CABINE

### EVOSR1050S

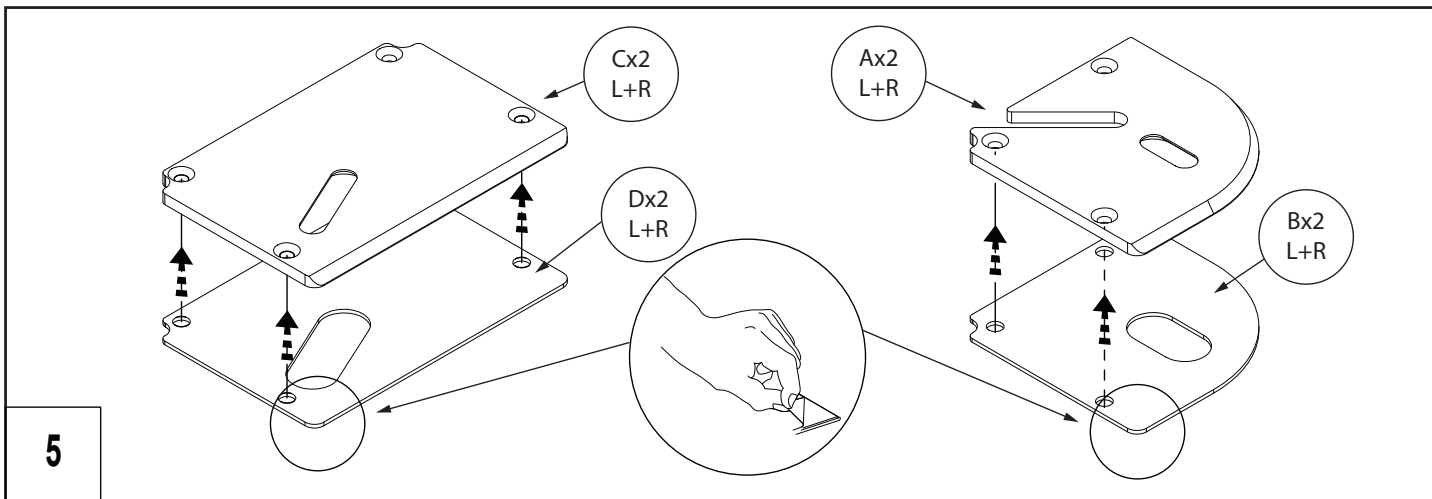
**EVOSR1050S**

<p><b>A</b></p>  <p>Left + Right 2X</p>	<p><b>B</b></p>  <p>Left + Right 2X</p>	<p><b>C</b></p>  <p>Left + Right 2X</p>		
<p><b>D</b></p>  <p>Left + Right 2X</p>	<p><b>E</b></p>  <p>M6X25mm 14X</p>	<p><b>F</b></p>  <p>M6X13mm 14X</p>		
<p><b>G</b></p>  <p>M6 14X</p>	<p><b>H</b></p>  <p>M8x20mm 4X</p>			
<p> - New component</p> <p> - Existing component</p>	<p>Note 1: If at any stage of installation you find your sportlid to be an unacceptable fit please contact the manufacturer before continuing.</p> <p>Note 2: This kit is only applicable to the <b>Ford Ranger 11+ DC/XC</b> OE bar compatible Upstone Evolve lids.</p>			
<p style="text-align: center;"><b>Tools Required</b></p> <div style="display: flex; justify-content: space-around; align-items: center;">    </div> <p style="text-align: center;">4mm &amp; 5mm Hex Key      14mm Wrench</p>				
<p><b>Fitting Kit Number</b> EVOSR1050S</p>	<p><b>Product</b> ISUZU D-MAX</p>	<p><b>Revision</b> 1</p>	<p><b>Date</b> 11-09-2024</p>	<p><b>Page</b> 8</p>

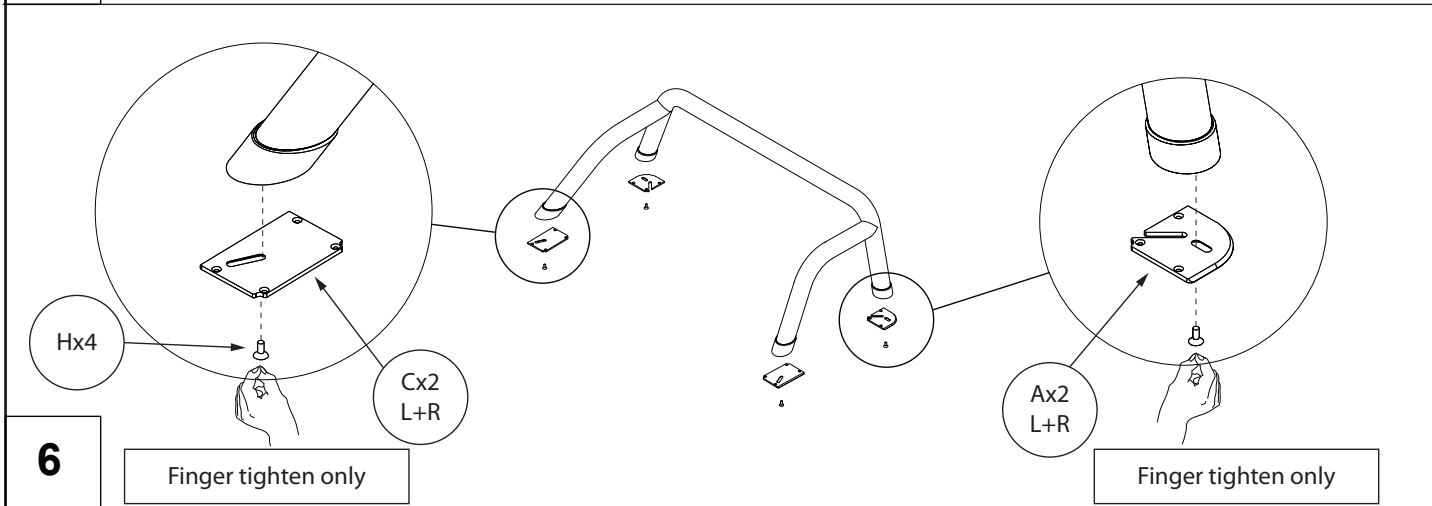




Fitting Kit Number	Product	Revision	Date	Page
EVOSR1050S	ISUZU D-MAX	1	11-09-2024	9



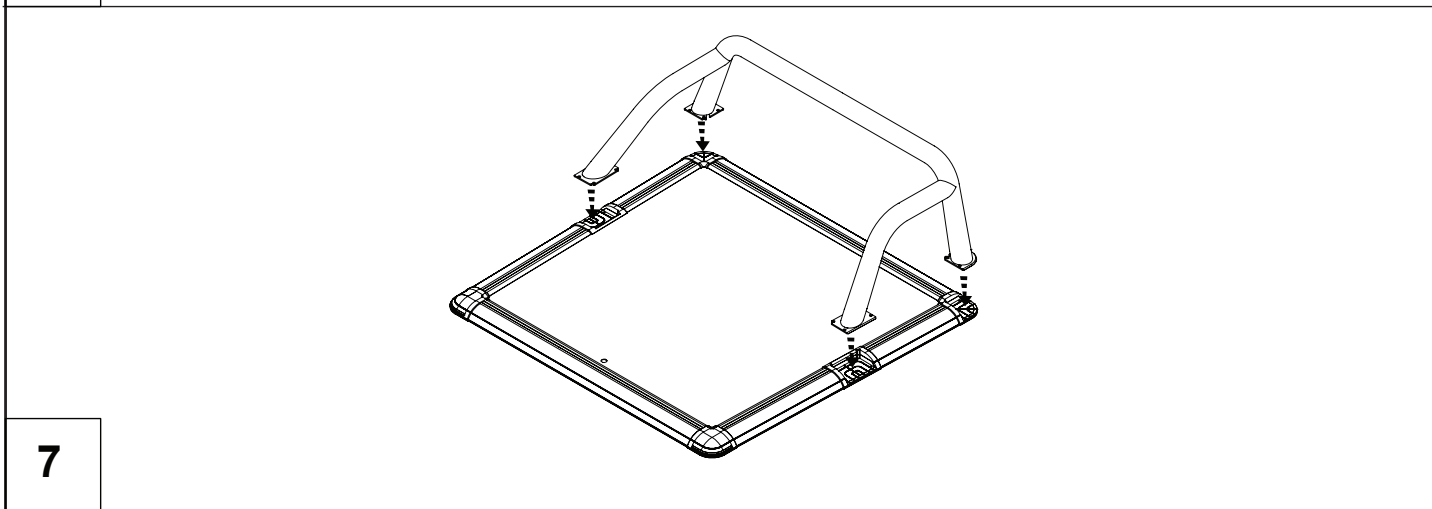
**5**



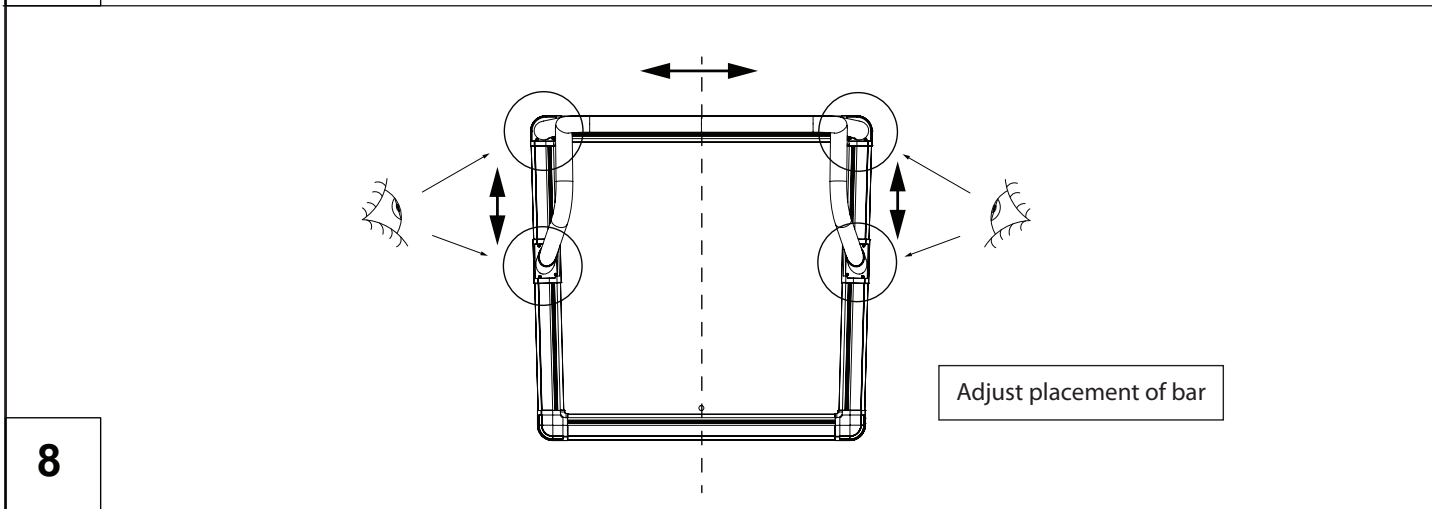
**6**

Finger tighten only

Finger tighten only



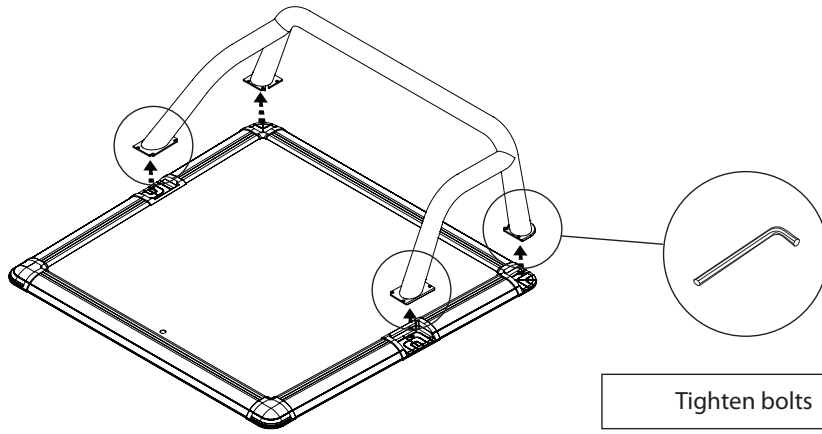
**7**



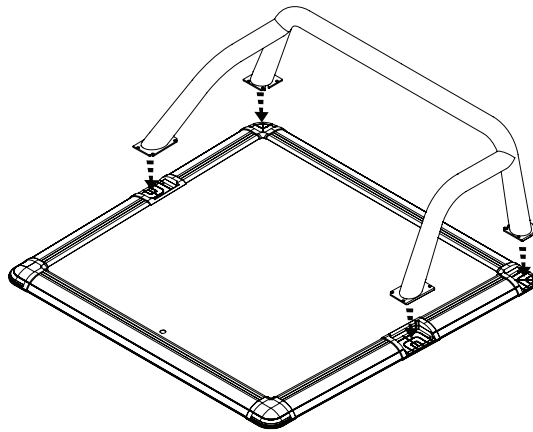
**8**

Adjust placement of bar

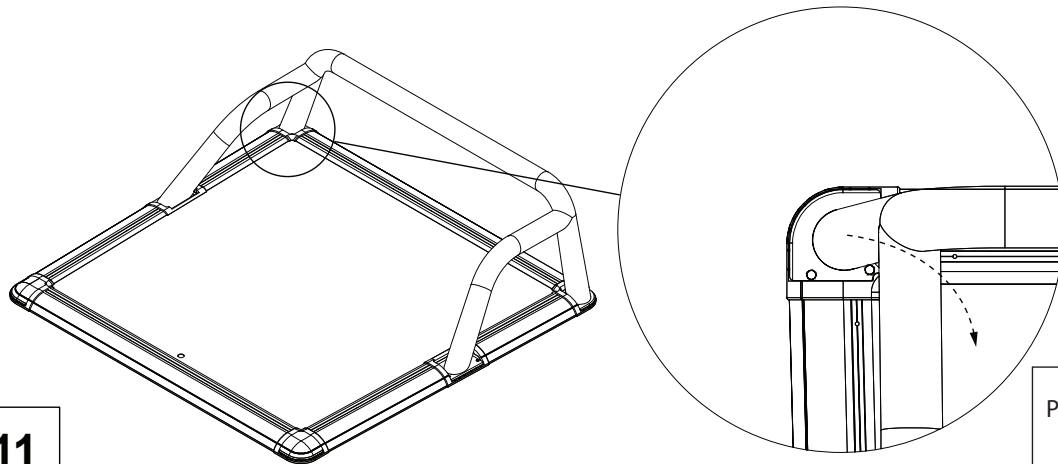
Fitting Kit Number	Product	Revision	Date	Page
EVOSR1050S	ISUZU D-MAX	1	11-09-2024	10



9

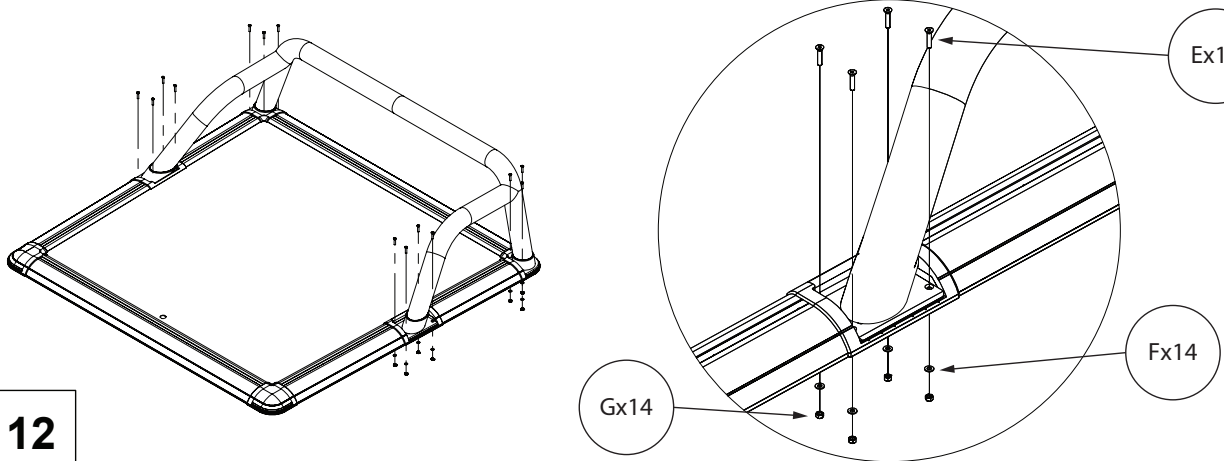


10



11

Pass brake light cable through drilled hole and into lid.



12

Fitting Kit Number	Product	Revision	Date	Page
EVOSR1050S	ISUZU D-MAX	1	11-09-2024	11

# *UpStoneEvolve*

651, rue Henri Laugier.

06600 ANTIBES.

<http://www.upstone.eu> - [info@upstone.fr](mailto:info@upstone.fr)